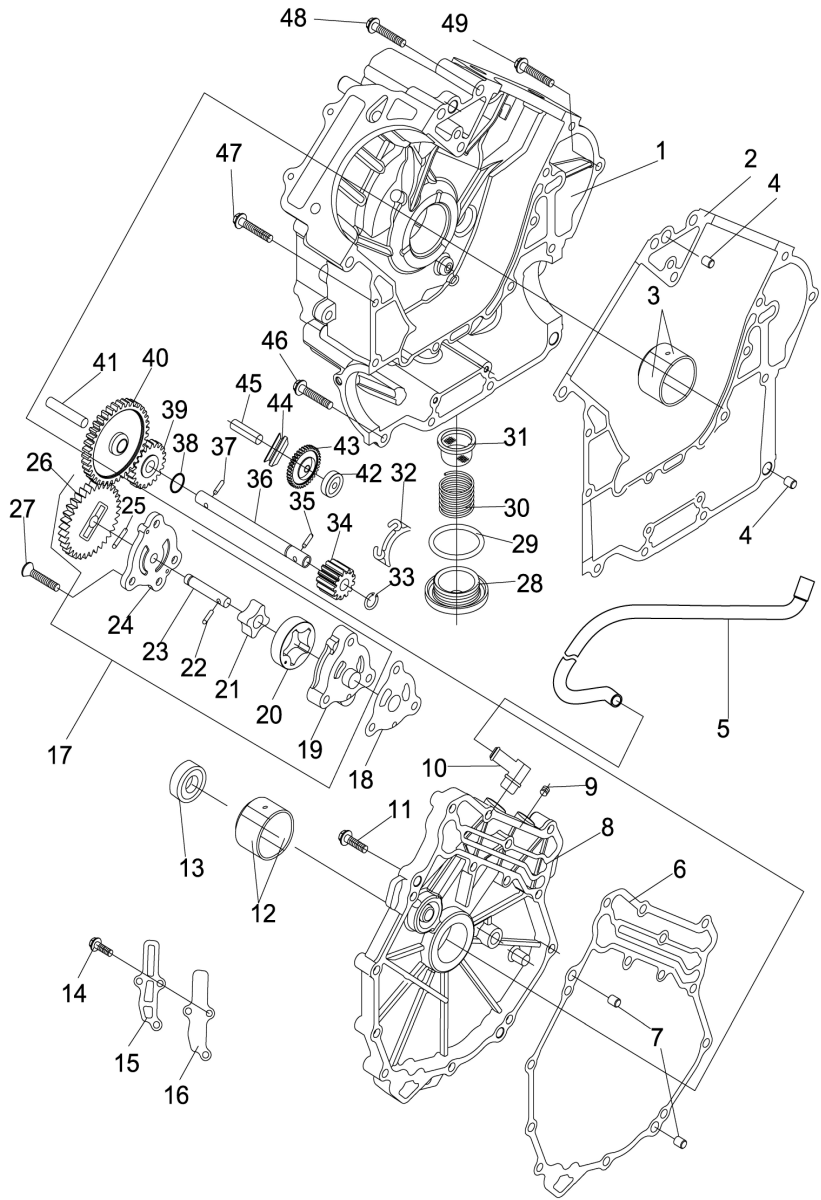


CRANKCASES (1/3)

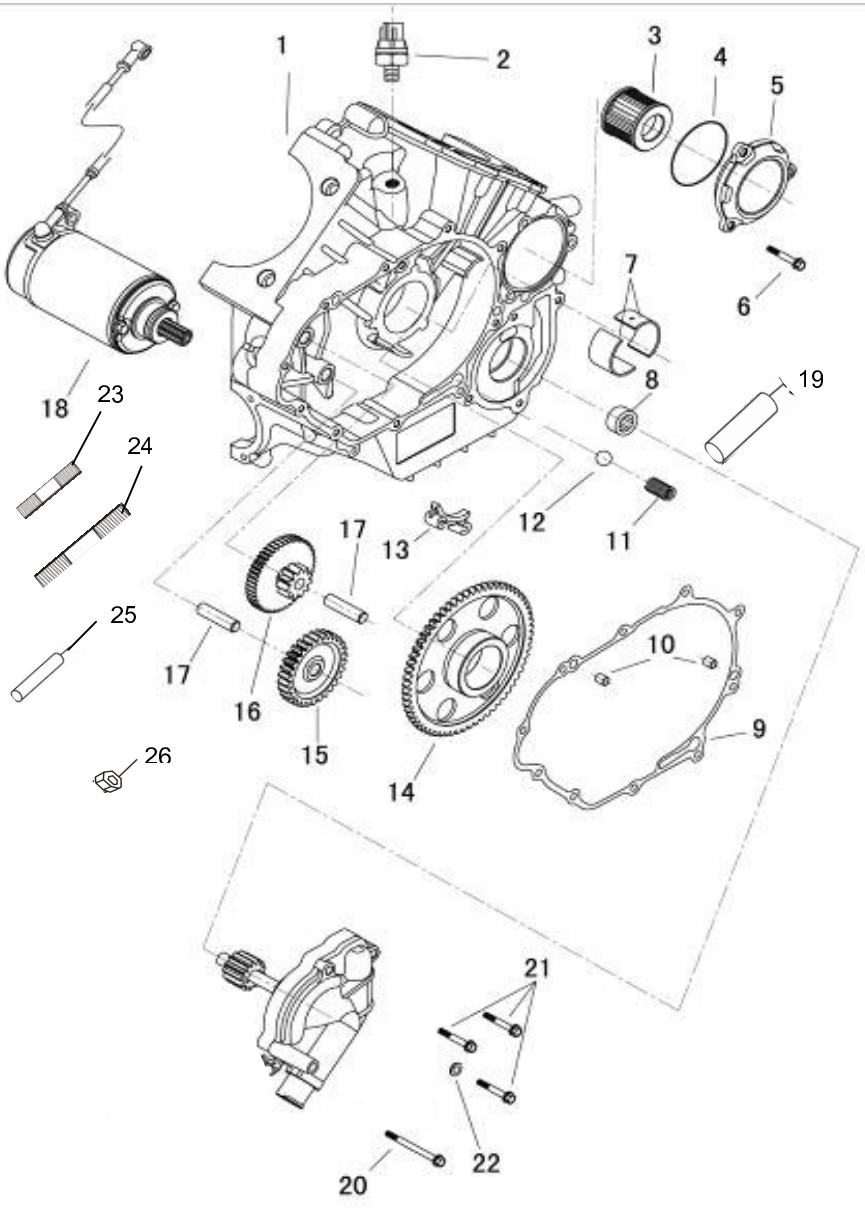
NO.	PART NO.	DESCRIPTION	QTY	MSRP
1	11200-F68-0000	Right Crankcase Assy	1	
2	11101-F68-0000	Gasket	1	
3	92201-F68-0000	Crankshaft Bearing RB9173KL/RB9173KU	2	
4	90803-F68-0000	Pin φ10×15.8	2	
5	18630-F68-0000	Exhaust Pipe	1	
6	21241-F68-0000	Gasket	1	
7	90802-F68-0000	Pin φ8×11.8	2	
8	11400-F68-0000	Right Crankcase Cover	1	
9	92007-F68-0000	Crankcase Block	1	
10	11402-F68-0000	air tap,Crankcase	1	
11	5787-6-30	Bolt M6×30	15	
12	92202-F68-0000	Crankshaft Bearing MB9340KS-STD, Right C	2	
13	91104-F68-0000	Oil seal φ34×φ52×7	1	
14	5789-6-15	Bolt M6×15	3	
15	15307-F68-0000	Plate Valve piece	1	
16	15306-F68-0000	Valve piece	1	
17	15100-F68-0000	Oil Pump Assy	1	
18	15101-F68-0000	Gasket, Oil Pump	1	
19	15110-F68-0000	Fuel pump	1	
20	15130-F68-0000	Outer Rotor	1	
21	15140-F68-0000	Inner Rotor	1	
22	15141-F68-0000	Pin φ4×16	1	



CRANKCASES (2/3)

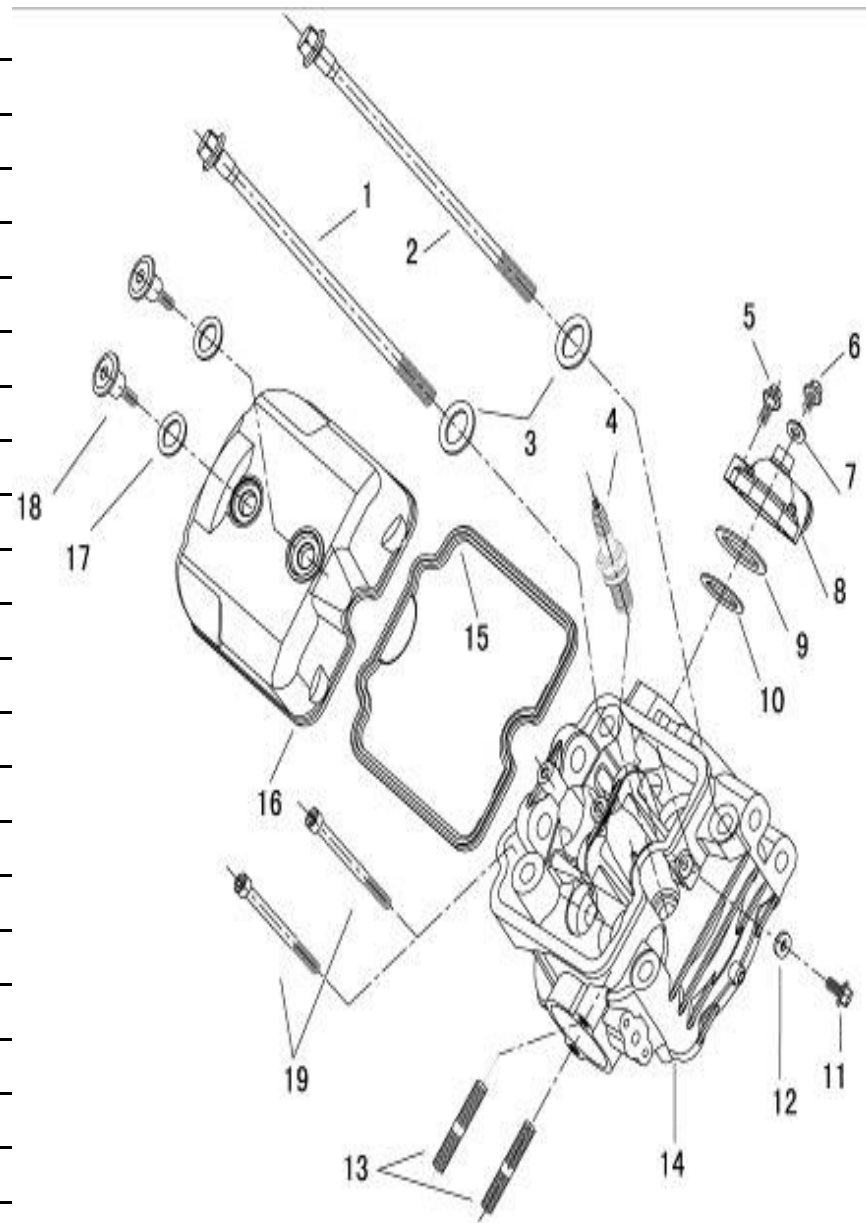
NO.	PART NO.	DESCRIPTION	QTY	MSRP
23	15150-F68-0000	Shaft,Oil pump	1	
24	15120-F68-0000	Cover,Oil pump	1	
25	19713-F68-0000	Pin	1	
26	15161-F68-0000	Gear,Oil pump	1	
27	819-6-30	Bolt M6×30	3	
28	11107-F11-0000	cap nut	1	
29	91205-F11-0000	O-ring Gasket φ36×3.5	1	
30	14761-F68-0000	Spring	1	
31	15203-F11-0000	Oil Filter Net	1	
32	14631-F68-0000	Plate,Chain	1	
33	90710-F68-0000	Circlip φ10	1	
34	19714-F68-0000	Gear,Water pump II	1	
35	19712-F68-0000	Pin φ4×21	1	
36	19709-F68-0000	Shaft φ10×171, water pump	1	
37	19712-F68-0000	Pin φ4×21	1	
38	90601-F68-0000	Washer φ10.3×φ17×φ1	1	
39	19722-F68-0000	Gear,Water pump I	1	
40	15160-F68-0000	Gear,Oil Pump	1	
41	31230-F68-0000	Shaft φ10×50	1	
42	276-6200RS	Bearing 6200RS	1	
43	15320-F68-0000	Separator(fuel&air) Assy	1	
44	91214-F68-0000	V Gasket (PK-VS-002)	1	

LEFT CRANKCASE COVER (1/2)



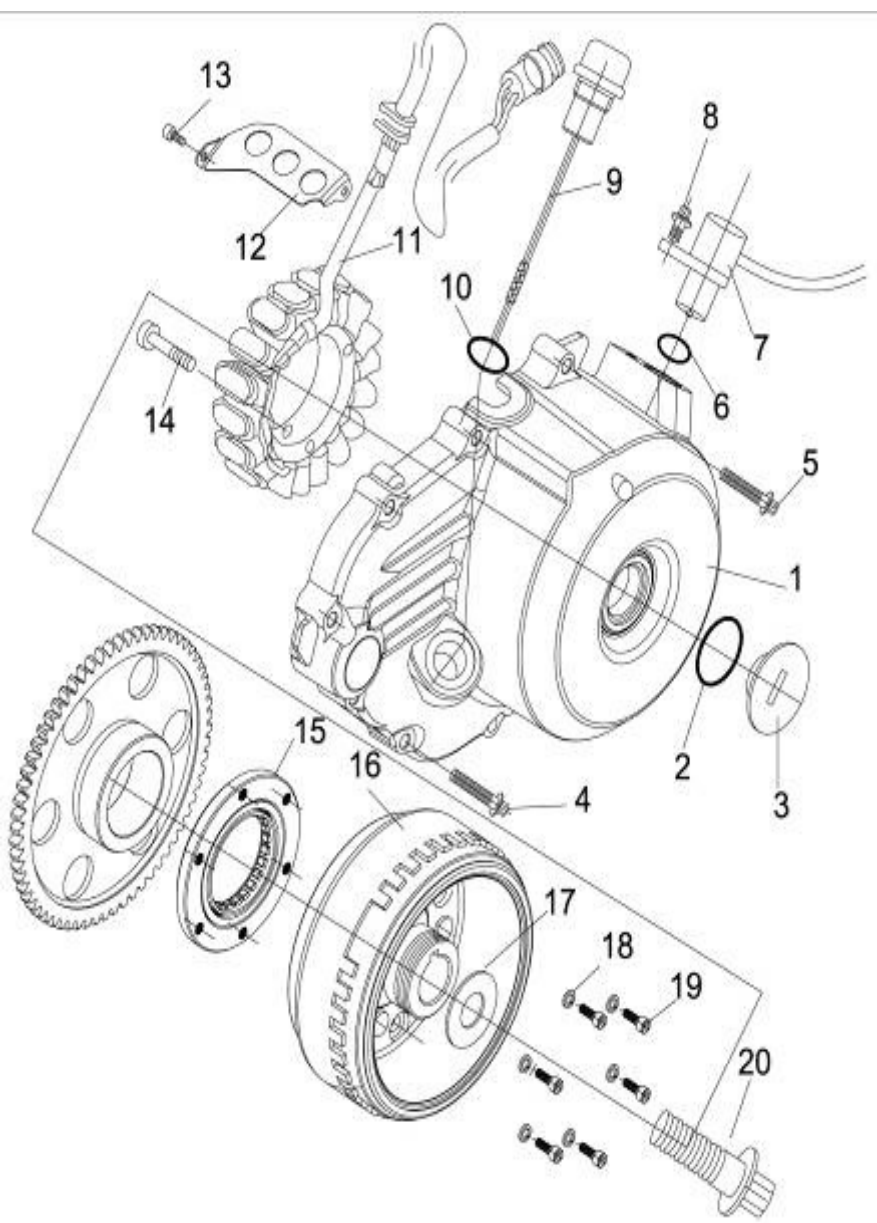
NO.	PART NO.	DESCRIPTION	QTY	MSRP
1	11100-F68-0000	Left Crankcase Assy	1	
2	15308-F68-0000	Sensor, oil pressure	1	
3	15210-F68-0000	Element Assy Oil Cleaner	1	
4	91204-F68-0000	O-ring φ61.5×2.4	1	
5	15201-F68-0000	Cover,Element Assy Oil Cleaner	1	
6	5787-6-20	Bolt M6×20	3	
7	92201-F68-0000	Crankshaft Bearing RB9173KL/RB9173KU	1	
8	276-1010	Bearing 1010	1	
9	11323-F68-0000	Gasket, Left Crankcase Cover	1	
10	90802-F68-0000	Pin φ8×11.8	2	
11	16363-F68-0000	Spring, Relief Valve	1	
12	15361-F68-0000	Steel Ball, Relief Valve SR11.2	1	
13	14631-F68-0000	Plate,Chain	1	
14	31240-F68-0000	Plate-shaped Gear	1	
15	31210-F68-0000	Middle Gear	1	
16	31220-F68-0000	Pair Gearwheel	1	
17	31230-F68-0000	Shaft φ10×50	2	
18	31200-F68-0000	Starting motor	1	
19		Valve Bushing	1	
20	5787-6-65	Bolt M6×65	1	
21	5787-6-40	Bolt M6×40	3	
22	90615-F68-0000	Washer φ6.5×φ12×1.5	1	

NK 800 U SPORT
ENGINE

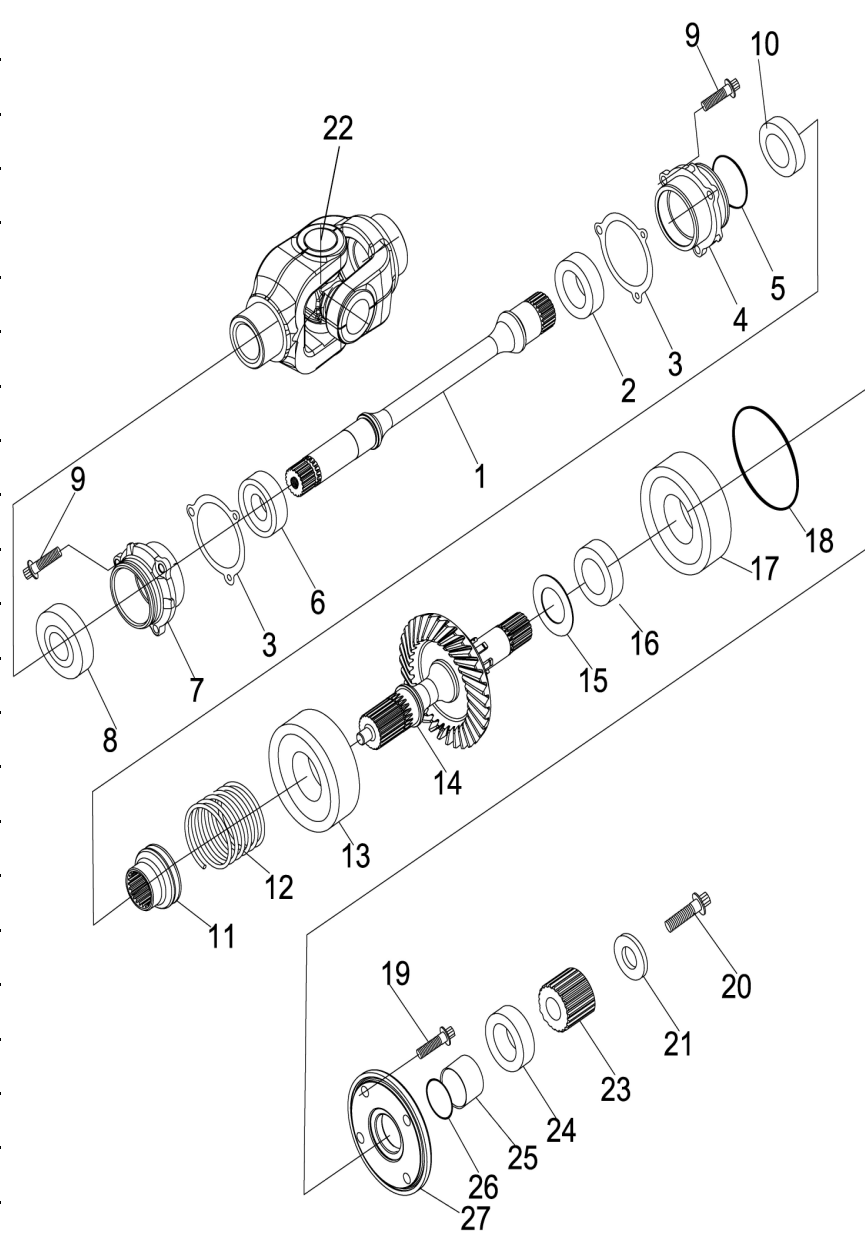


CYLINDER HEAD				
NO.	PART NO.	DESCRIPTION	QTY	MSRP
1	90031-F68-0000	Bolt A M10×1.25-175	4	
2	90032-F68-0000	Bolt B M10×1.25-145	4	
3	90604-F39-0000	Washer φ10×φ20×2	8	
4	33300-F68-0000	Spark plug NGK DCPR7E	2	
5	5787-06-25	Bolt M6×25	2	
6	5787-06-12	Bolt M6×12	2	
7	90615-F68-0000	Washer φ6×φ10×1	2	
8	19410-F68-0000	Thermostat Cover	1	
9	91213-F68-0000	Ring Save Temperature Cover	1	
10	90610-F68-0000	Washer φ20.5×φ30×1	1	
11	5787-06-12	Bolt M6×12	2	
12	90615-F68-0000	Washer φ6×φ12×1.5	2	
13	92003-F68-0000	Stud Bolt M8×42	4	
14	12200-F68-0000	Cylinder Head Assy	2	
15	91215-F68-0000	Gasket, Cylinder Cover	2	
16	12301-F68-0000	Cylinder Head cover	2	
17	91105-F68-0000	Gylinder Cover Pad	2	
18	90133-F68-0000	Bolt M6×12	4	
19	70.1-6-85	Bolt M6×80	4	

NK 800 U SPORT
ENGINE



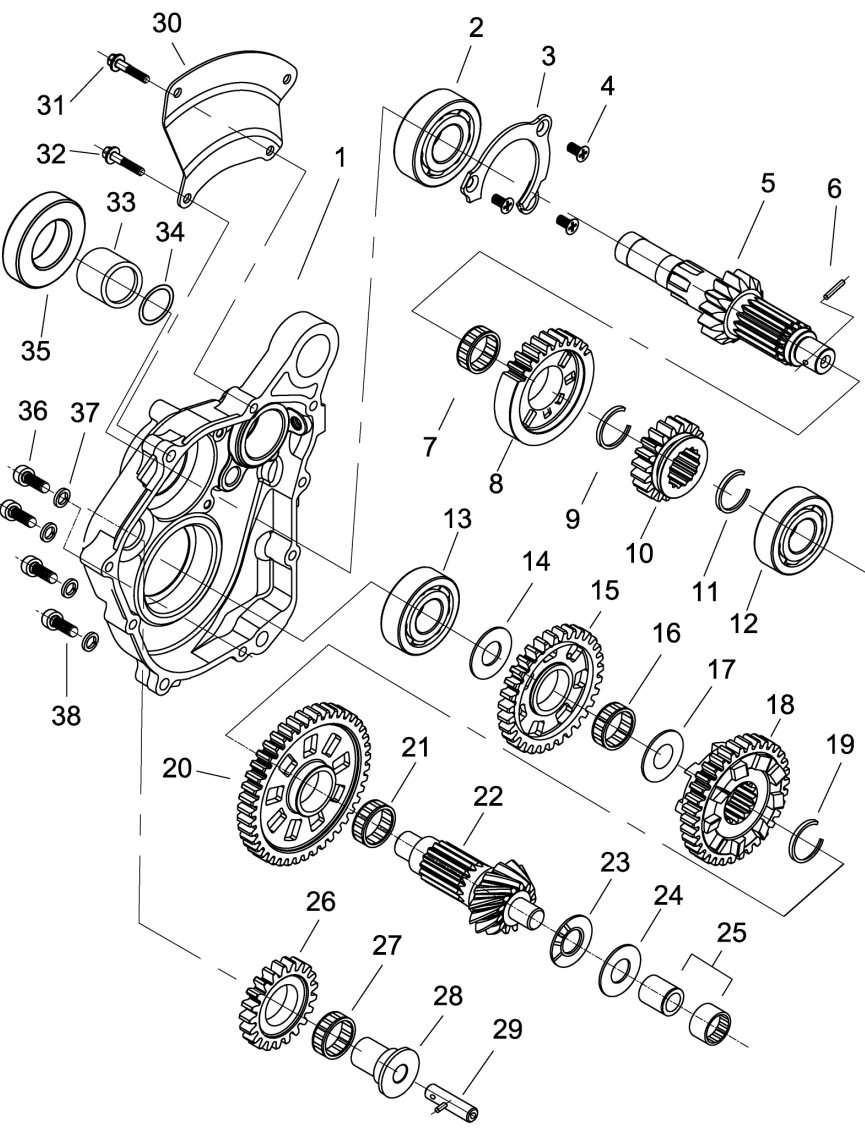
STATOR				
NO.	PART NO.	DESCRIPTION	QTY	MSRP
1	11300-F68-0000	Left Crankcase Cover	1	
2	91210-F68-0000	O-ring φ24×2.5	1	
3	91211-F68-0000	inspection cover	1	
4	5787-6-30	Bolt M6×35	8	
5	5787-6-40	Bolt M6×35	2	
6	91210-F68-0000	O-ring φ18×φ1.8	1	
7	36500-F68-0000	Sensor,Crankcase location	1	
8	5787-6-14	Bolt M6×14	1	
9	15651-F68-0000	Oil Ruler	1	
10	91210-F11-0000	O-ring φ19×2.5	1	
11	31100-F68-0000	Stator Assy	1	
12	11322-F68-0000	Clip,Generator	1	
13	818-5-10	Bolt M4×8	2	
14	5787-6-35	Bolt M6×35	3	
15	31250-F68-0000	Sprag Clutch	1	
16	31101-F68-0000	Rotor Assy	1	
17	90603-F68-0000	Washer φ17.2×φ30×3	1	
18	90628-F11-0000	spring washer φ8	6	
19	70.1-8-25	Bolt M8×16	6	
20	5783-16-35	Bolt M16×35	1	



CENTER DRIVE SHAFT (1/2)

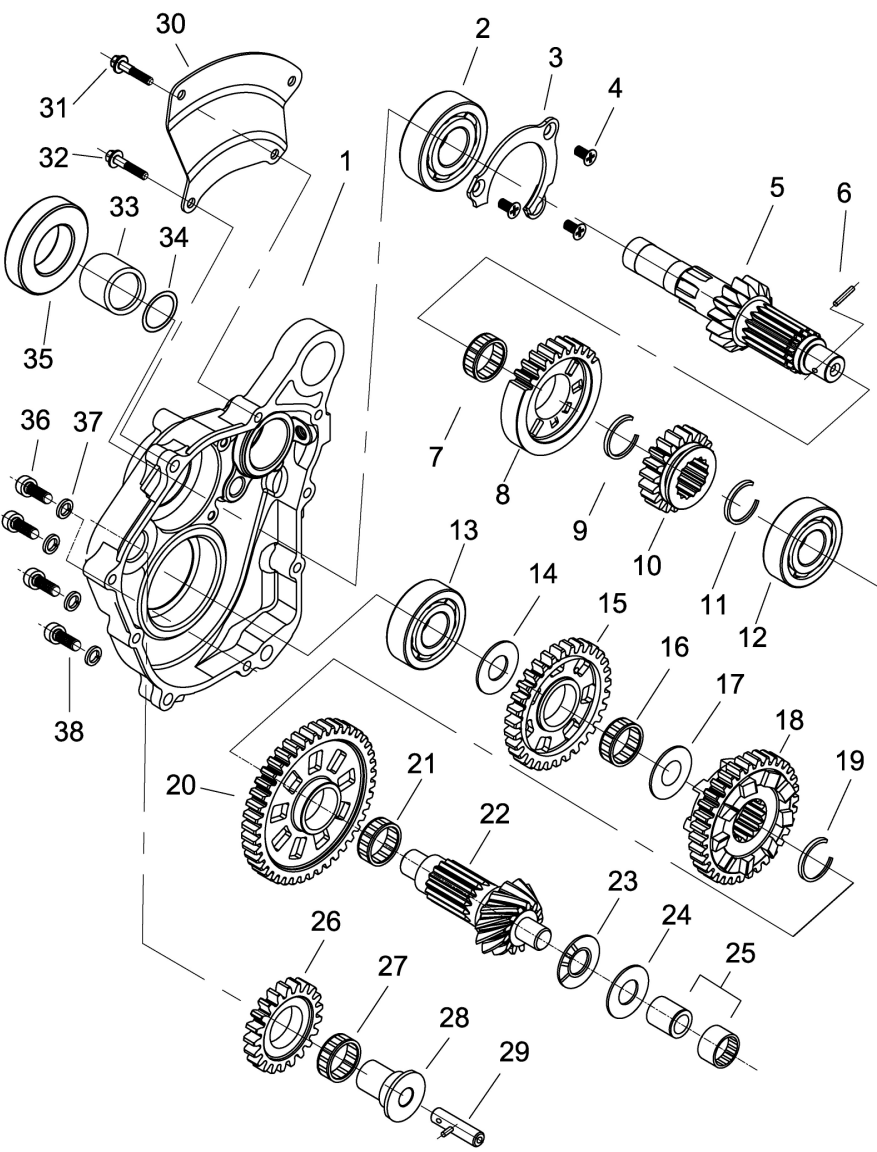
NO.	PART NO.	DESCRIPTION	QTY	MSRP
1	22157-F68-0000	Output Shaft Y-2	1	
2	276-6906	Bearing 6906	1	
3	91226-F68-0000	Gasket.,Shaft seat	2	
4	22151-F68-0000	Bearing Seat, middle drive	1	
5	91209-F68-0000	O-ring φ51×2.4	1	
6	276-6005	Bearing 6005/P6	1	
7	22151-F68-0000	Bearing Seat, middle drive	1	
8	91103-F68-0000	Fuel seal φ25×φ47×7	1	
9	5787-6-22	Bolt M6×22	6	
10	91101-F68-0000	Fuel seal φ30×φ47×7	1	
11	31221-F68-0000	4 drive combine cover	1	
12	22159-F68-0000	Spring	1	
13	276-6206	Bearing 6206	1	
14	22156-F68-0000	Output Shaft Y-1	1	
15	90606-F68-0000	Washer φ31.2×φ47×S	随机	
16	22154-F68-0000	Collar φ30×φ42×22.5	1	
17	276-6305/CM	Bearing 6305/CM	1	
18	91201-F18-0000	O-ring φ90×3	1	
19	5787-6-25	Bolt M8×25	4	
20	5787-10-30-1.25	Bolt M10×25×1.25	1	
21	90608-F11-0000	Washer φ10×φ32×5	1	
22	22160-F39-0000	Universal joint assy	1	

TRANSMISSION (1/2)

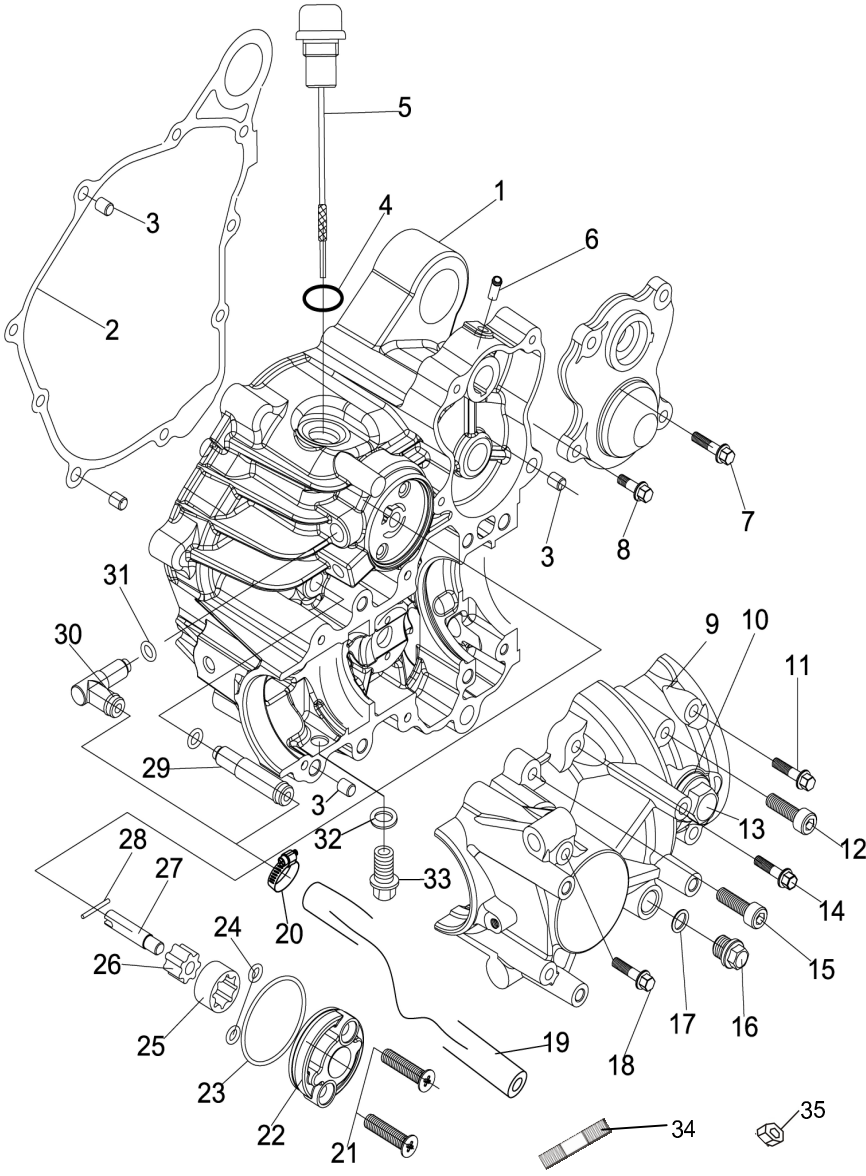


NO.	PART NO.	DESCRIPTION	QTY	MSRP
1	22720-F68-0000	Cover,Gear case	1	
2	276-6305/C3	Bearing 6305/C3	1	
3	22729-F68-0000	Bearing Press Plate 25×29×12.6	1	
4	819-6-12	Bolt M6×12	3	
5	22211-F68-0000	Main Shaft	1	
6	22739-F68-0000	Pin φ2×18	1	
7	92301-F68-0000	Needle Bearing 25×29×12.6	1	
8	22212-F68-0000	Drive Gear (H Gear)	1	
9	22230-F68-0000	Circlip φ27×φ32×2	1	
10	22213-F68-0000	Drive Gear (L Gear)	1	
11	22230-F68-0000	Circlip φ27×φ32×2	1	
12	276-6204 RS	Bearing 6204 RS	1	
13	276-6403	Bearing 6403	1	
14	22231-F68-0000	Washer φ17.3×φ34×1.5	1	
15	22224-F68-0000	Driven Gear (R Gear)	1	
16	92301-F68-0000	Needle Bearing 25×29×12.6	1	
17	22233-F68-0000	Washer φ25.4×φ33×1	1	
18	22222-F68-0000	Driven Gear (H Gear)	1	
19	22230-F68-0000	Circlip φ27×φ32×2	1	
20	22223-F68-0000	Driven Gear (L Gear)	1	
21	92302-F68-0000	Needle Bearing 25×29×9.6	1	
22	22221-F68-0000	Counter Shaft	1	

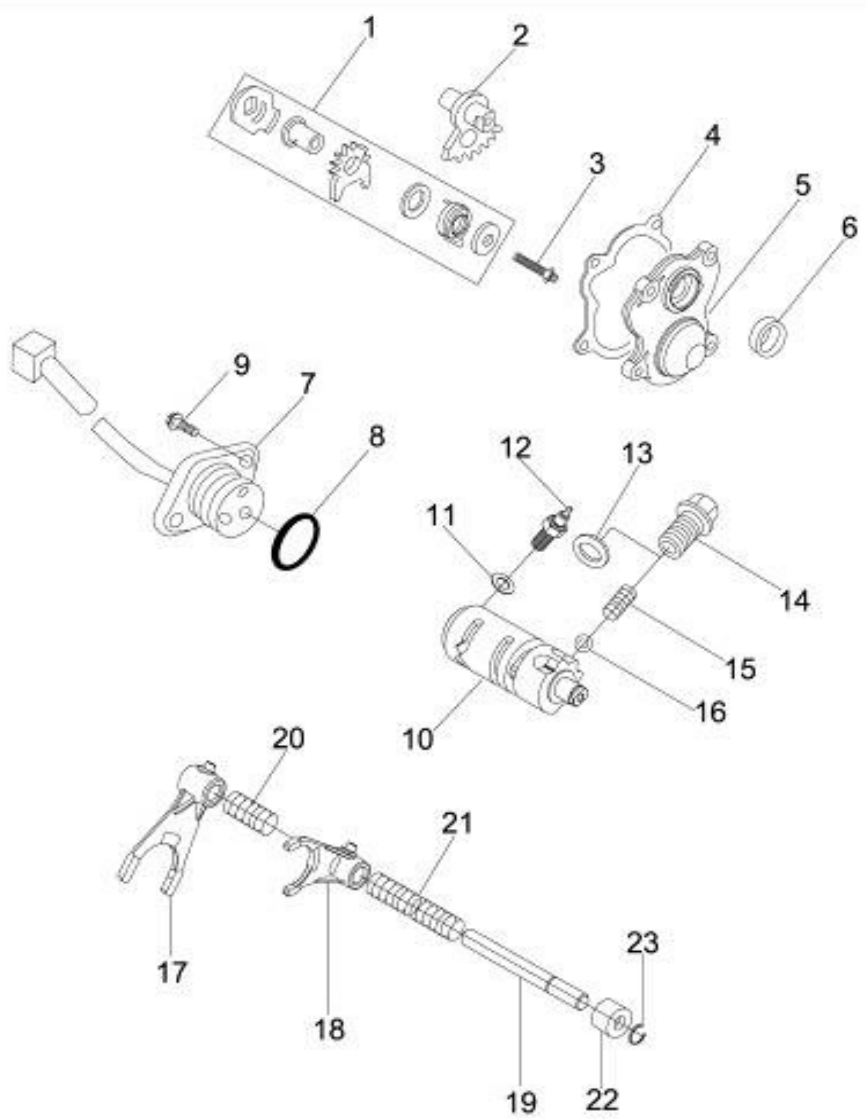
TRANSMISSION (2/2)



NO.	PART NO.	DESCRIPTION	QTY	MSRP
23	92303-F68-0000	Needle Bearing AXK15×28×2	1	
24	22231-F68-0000	Washer φ15.3×φ32×1.5	1	
25	22225-F68-0000	Bushing φ15×φ19×16	1	
25	276- NBI19-27-16	Needle Bearing NBI19×27×16	1	
26	22242-F68-0000	Idle Gear (R gear)	1	
27	92302-F68-0000	Needle Bearing 25×29×9.6	1	
28	22241-F68-0000	Idle Gear Shaft(R gear)	1	
29	22511-F68-0000	Shaft, φ12×55	1	
30	21401-F68-0000	Seat Bracket,Clutch Cover	1	
31	5787-6-35	Bolt M6×35	2	
32	5787-6-45	Bolt M6×45	2	
33	22215-F68-0000	Bushing φ25×φ32×18.3	1	
34	91205-F68-0000	O-ring Gasket 25×2.4	1	
35	91102-F68-0000	Oil Seal 32×47×7	1	
36	70.1-8-45	Bolt M8×45	3	
37	90628-F11-0000	spring washer φ8	4	
38	70.1-8-45	Bolt M8×40	1	

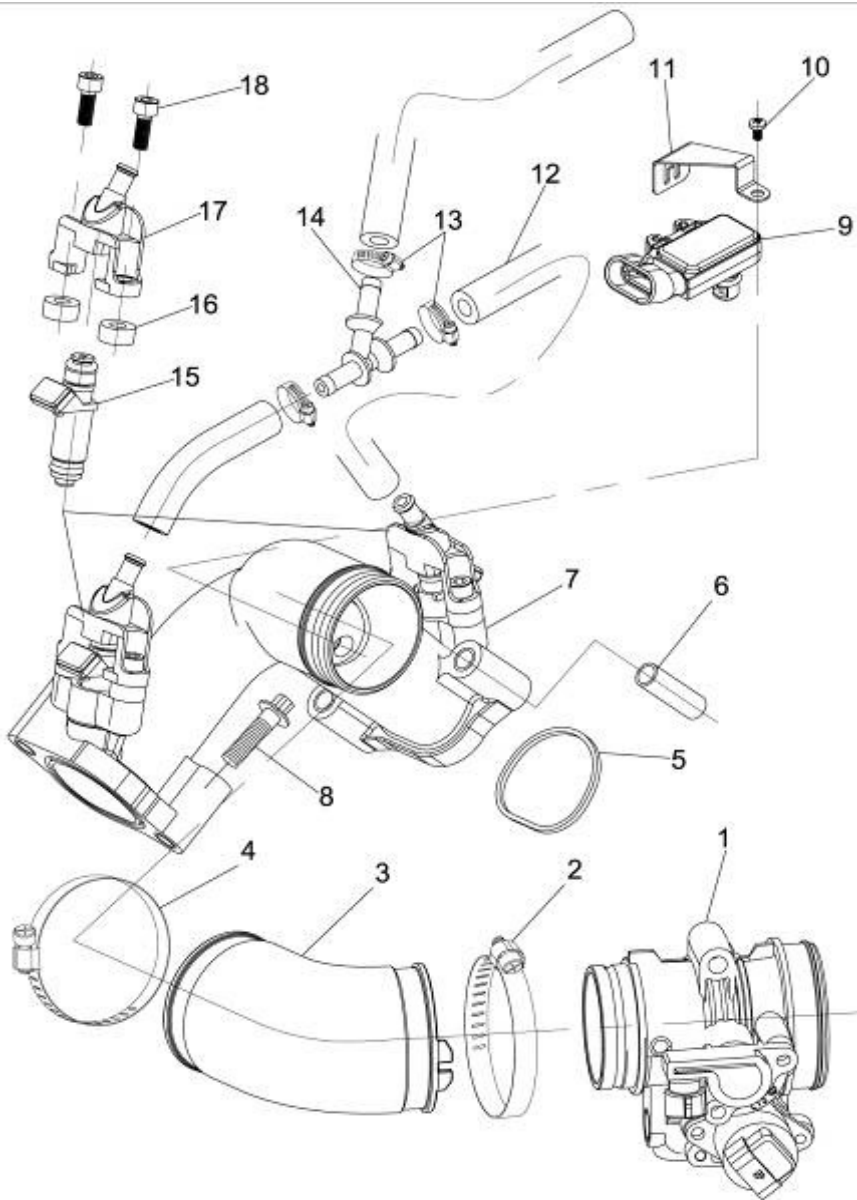


TRANSMISSION COVER (1/2)				
NO.	PART NO.	DESCRIPTION	QTY	MSRP
1	22710-F68-0000	Gear Box	1	
2	22711-F68-0000	Gasket, Gear-box	1	
3	90802-F68-0000	Pin $\phi 10 \times 14$	4	
4	91210-F11-0000	O-ring Gasket $\phi 19 \times \phi 2.5$	1	
5	15651-F68-0000	Oil Ruler	1	
6	25162-F68-0000	Exhaust Cock	1	
7	5787-6-35	Bolt M6 \times 25	3	
8	5787-6-15	Bolt M6 \times 20	1	
9	22730-F68-0000	Cover, Gear Case	1	
10	91216-F39-0000	O-ring Gasket $\phi 20 \times 2$	1	
11	5787-6-55	Bolt M6 \times 55	2	
12	70.1-8-55	Bolt M8 \times 55	2	
13	16674-20-12-1.25	Bolt M20 \times 12 \times 1.25	1	
14	5787-6-30	Bolt M6 \times 30	2	
15	70.1-8-30	Bolt M8 \times 30	2	
16	5787-12-15-1.25	Bolt M12 \times 15 \times 1.25	1	
17	90616-F68-0000	Washer $\phi 12 \times \phi 20 \times 2$	1	
18	5787-6-85	Bolt M6 \times 85	2	
19	90402-F68-0000	Oil pipe	2	
20	90406-F68-0000	Clip 11/20	2	
21	5787-6-30	Bolt M6 \times 30	2	
22	13508-F68-0000	Oil Pump	1	

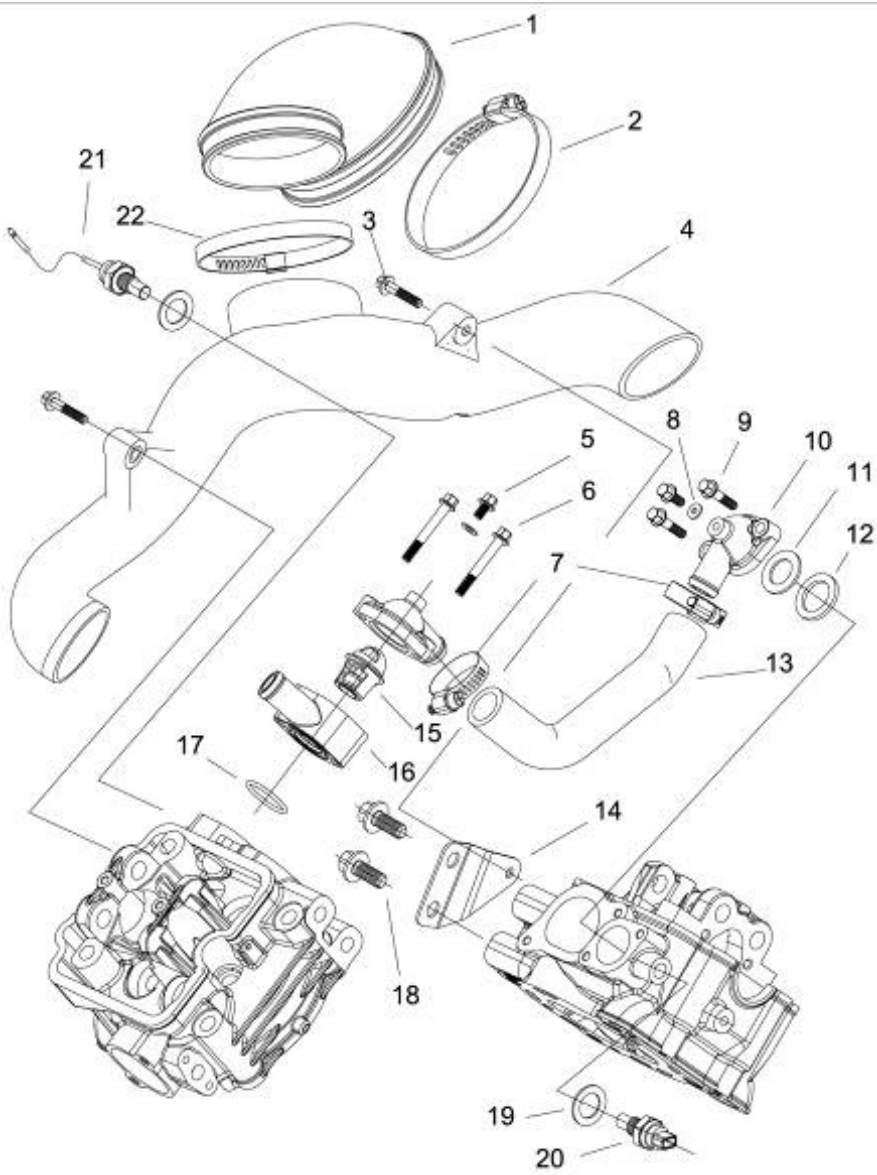


GEARSHIFT				
NO.	PART NO.	DESCRIPTION	QTY	MSRP
1	23320-F68-0000	Driven Gear,Gear Shift	1	
2	23330-F68-0000	Drive Gear,Gear Shift	1	
3	5783-6-35	Hexagon Flang Bolt M6×35	1	
4	23312-F39-0000	Side Cover Gasket, Gear Shift	1	
5	23311-F39-0000	Side Cover, Gear Shift	1	
6	91111-F12-0000	Oil Seal φ25×φ15×5	1	
7	37120-F39-0000	Gearshift Indicator	1	
8	91208-F39-0000	O-ring Gasket φ29.6×2.4	1	
9	9074.14-6-16	Bolt M6×16, Gearshift Indicator	2	
10	23200-F68-0000	Gearshift Drum Assy	1	
11	90617-F11-0000	Washer φ10×φ16×1	1	
12	37180-F12-0000	Gearshift Switch	1	
13	90617-F39-0000	Washer φ14×φ22×1	1	
14	23304-F12-0000	Bolt M14×21	1	
15	23303-F12-0000	Spring	1	
16	23302-F12-0000	Steel Ball SR9.5	1	
17	23101-F68-0000	Fork, R Gear	1	
18	23102-F68-0000	Fork, HL Gear	1	
19	23103-F68-0000	Fork Shaft φ12×112.5	1	
20	23105-F68-0000	Spring, H Gear	1	
21	23104-F68-0000	Spring, L Gear	1	
22	23106-F39-0000	Spring Seat	1	
23	90702-F39-0000	Circlip φ12	2	

	CLUTCH				
	NO.	PART NO.	DESCRIPTION	QTY	MSRP
	1	11420-F68-0000	Cover,Clutch	1	
	2	5789-06-30	Bolt M6x28	9	
	3	11413-F68-0000	Washer,Clutch	1	
	4	25300-F68-0000	Belt,clutch	1	
	5	5782-12-140-1.75	Bolt M12x140x1.75	1	
	5	5782-12-140-1.5	Bolt M10x110x1.5	1	
	6	90608-F68-0000	Washer φ12.5xφ37x4.5	1	
	7	90609-F68-0000	Washer φ12.5xφ39x0.5	1	
	8	90607-F68-0000	Washer φ10.3xφ40x3	1	
	9	21300-F68-0000	Cvt Original Clutch Parts	1	
	10	21400-F68-0000	Cvt Hypo Clutch Parts	1	
	11	11450-F68-0000	Cover Crankcase	1	
	12	5787-6-22	Bolt M6x22	9	
	13	91201-F68-0000	O-ring φ56.75x3.53	1	
	14	91202-F68-0000	O-ring φ50x4	1	
15	93-6-00	Spring Washer φ6	9		



FUEL INJECTION SYSTEM (EFI)				
NO.	PART NO.	DESCRIPTION	QTY	MSRP
1	16100-F68-0000	Ducting, DampersD46-1	1	
2	90401-F39-0000	Clip 50-70	1	
3	14801-F68-0000	Bent Pipe,Inlet Pipe	1	
4	90401-F39-0000	Clip 50-70	1	
5	91217-F68-0000	Washer,Inlet Pipe	2	
6	14802-F68-0000	Bushing $\phi 8.5 \times \phi 11.2 \times 34$	4	
7	14800-F68-0000	Intake Pipe Assy	1	
8	5787-8-45	Bolt M8x45	4	
9	16723-F68-0000	Inlet Temperature / PressureSensor	1	
10	818-6-12	Bolt M4x8	3	
11	11109-F68-0000	Pressure Plate TMAP	1	
12	16501-F68-0000	Oil Pipe	2	
13	90401-F68-0000	Oil Pipe Clip $\phi 14.8$	4	
14	15305-F68-0000	Trifurcate Tube	1	
15	16400-F68-0000	Fuel Injection	2	
16	25160-F68-0000	Bushing $\phi 7 \times \phi 15 \times 6.5$	4	
17	16430-F68-0000	Seat, Fuel Injection	2	
18	70.1-6-22	Bolt M6x20	4	



SWITCH, SENSOR, THERMOSTAT				
NO.	PART NO.	DESCRIPTION	QTY	MSRP
1	11406-F68-0000	Rubber cover of exhaust pipe	1	
2	11403-F68-0000	Clip 80-110	1	
3	5787-6-30	Bolt M6×30	2	
4	11401-F68-0000	Clutch exhaust pipe	1	
5	5787-6-12	Bolt M6×12	2	
6	5787-6-50	Bolt M6×50	2	
7	90405-F39-0000	Water Pipe Clip φ18 ~ φ32	2	
8	90615-F68-0000	Washer φ6×φ12×1.5	2	
9	5787-6-25	Bolt M6×25	2	
10	19410-F68-0000	Thermostat Cover	1	
11	90610-F68-0000	Washer φ20.5×φ30×1	1	
12	91213-F68-0000	Gasket 26.4×31.3×2.2		
13	19270-F68-0000	Water Pipe	1	
14	11209-F68-0000	CVT support board		
15	19400-F68-0000	Thermostat	1	
16	19420-F68-0000	Water Outlet Connector, Cylinder	1	
17	91203-F68-0000	O-ring Gasket φ27×2.5	1	
18	5787-10-16-1.25	Bolt M10×16×1.25	2	
19	90613-F68-0000	Washer φ12.3×φ18×1.5	2	
20	36550-F68-0000	water temperature sensor DELPHI15404280	1	
21	36540-F68-0000	water temperature warning switch	1	
22	11405-F68-0002	Clip	1	

