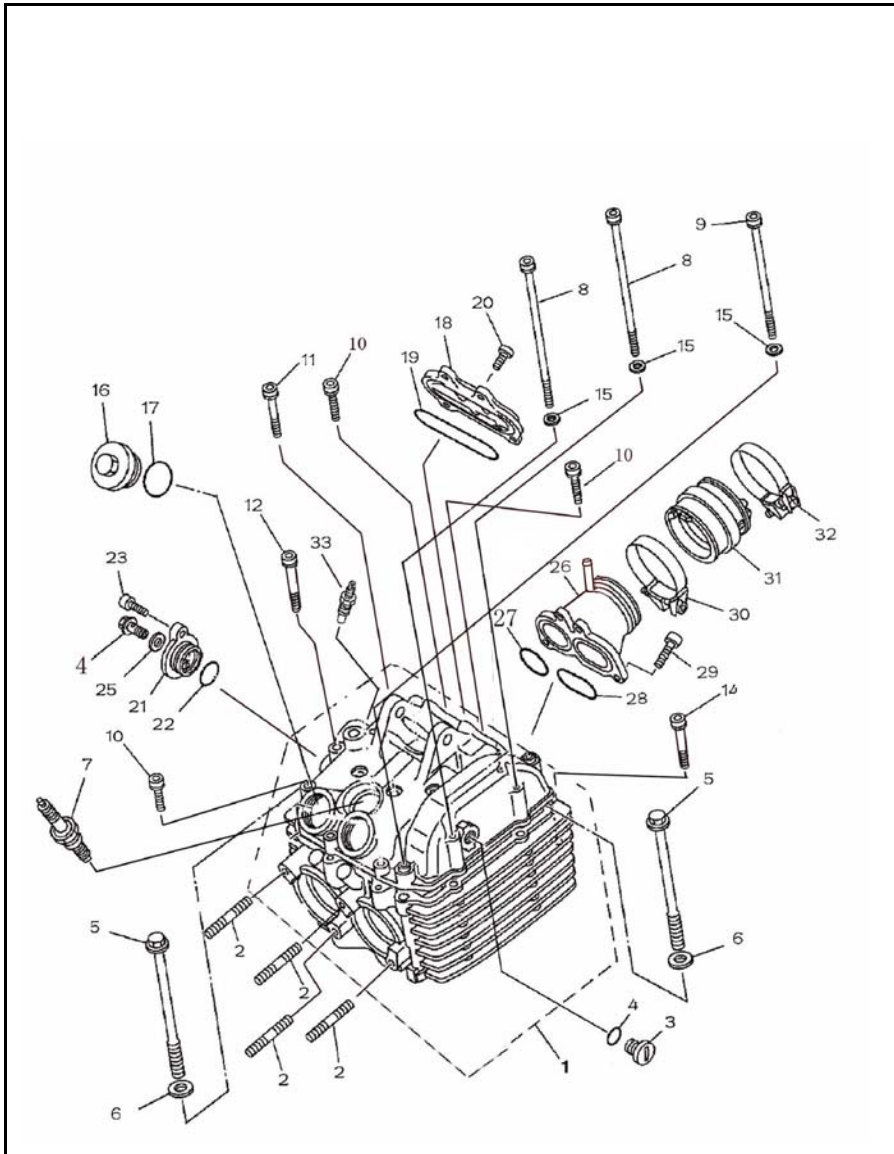


# NORDIK MOTOR CANADA

## NK 700 U PARTS CATALOGUE

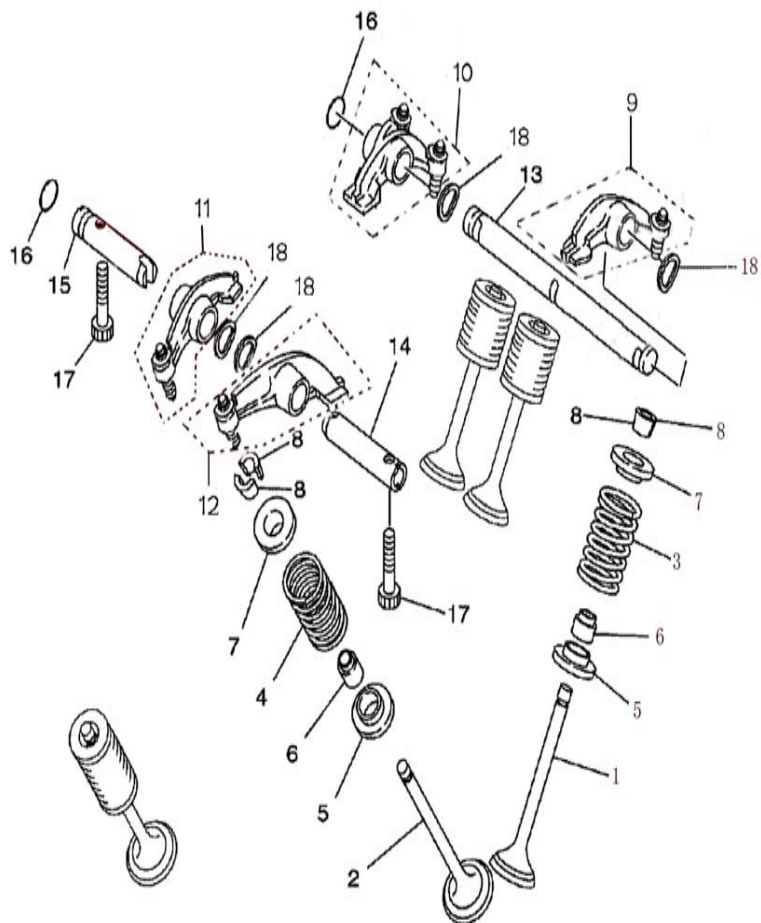
### 2008 MODEL



#### CYLINDER HEAD (1/2)

No.	Part No.	Part Name And Standard	Q'ty
1	12000-F39-0000	Cylinder head assy	1
2	GB/T 899-1988	Bolt, stud	4
3	11325-F39-0000	Inspection port, up	1
4	91217-F39-0000	O-ring gasket 13.4×2.35	1
5	90033-F39-0000	Bolt ,plate M9×109	4
6	90601-F39-0000	Washer 10×19×2	4
7	33300-F39-0000	Spark plug (NGK DPR8EA-9)	1
8	GB/T 70.1-2000	Socket cap screw M6×130□	2
9	GB/T 70.1-2000	Socket cap screw M6×115□	1
10	GB/T 70.1-2000	Socket cap screw M6×25□	5
11	GB/T 70.1-2000	Socket cap screw M6×40	2
12	GB/T 70.1-2000	Socket cap screw M6×55□	7
14	GB/T 70.1-2000	Socket cap screw M6×50	1
15	90602-F39-0000	Washer 6.5×11.3×1.6	3
16	12362-F39-0000	Cover, Exhaust valve	2
17	91201-F39-0000	O-RING	2
18	12361-F39-0000	Cover, Inlet valve	1
19	91202-F39-0000	O-ring gasket 71.5×3	1
20	GB/T 70.1-2000	Socket cap screw M6×18	4



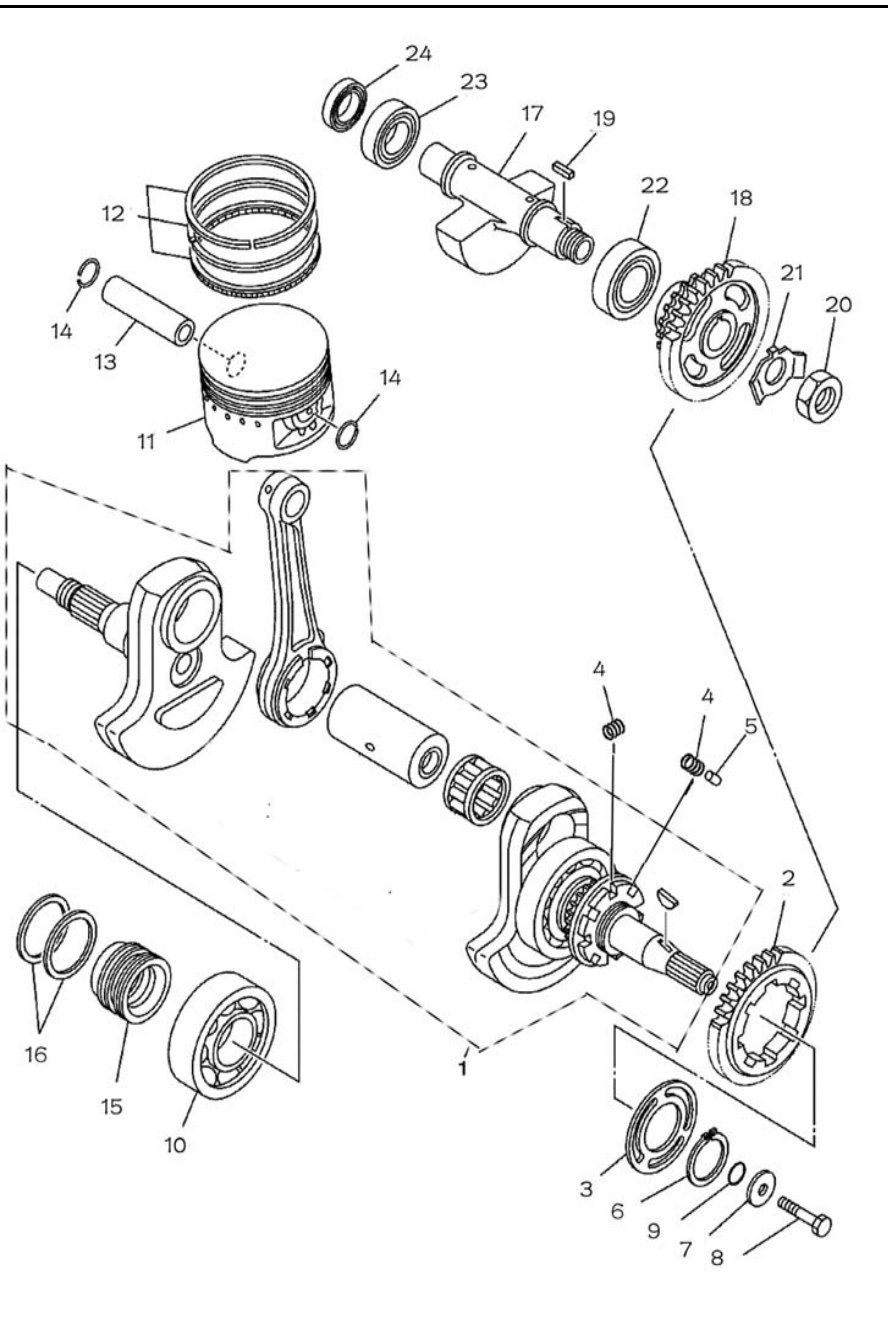


**VALVE**

No.	Part No.	Part Name And Standard	Q'ty
1	14711-F39-0000	Valve,inlet	3
2	14721-F39-0000	Valve, exhaust	2
3	14751-F39-0000	Spring inlet valve	3
4	14761-F39-0000	Spring,exhaust valve	2
5	14775-F39-0000	Spring seat, valve	5
6	12209-F39-0000	Oil shield assy	5
7	14771-F39-0000	Spring seat, valve	5
8	14781-F39-0000	Cotter, valve	10
9	14430-F39-0000	Rocker assy I ,inlet valve	1
10	14440-F39-0000	Rocker assy II ,inlet valve	1
11	14450-F39-0000	Rocker assy I ,exhaust valve	1
12	14460-F39-0000	Rocker assy II ,exhaust valve	1
13	14451-F39-0000	Wayshaft I	1
14	14471-F39-0000	Wayshaft III	1
15	14461-F39-0000	Wayshaft II	1
16	91215-F39-0000	O-RING	2
17	GB/T 70.1-2000	Socket cap screw M6×20	2
18	14452-F39-0000	Washer, wave	4



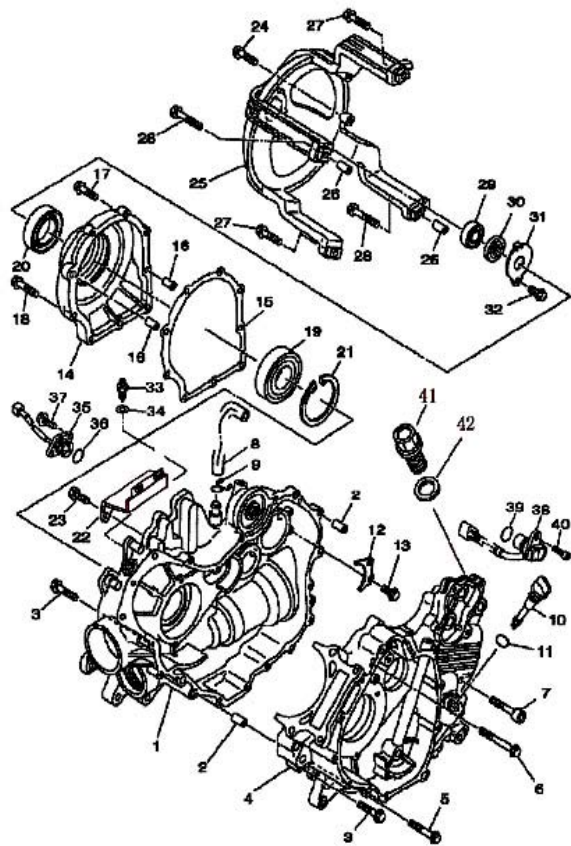




**CRANKSHAFT PISTON (1/2)**

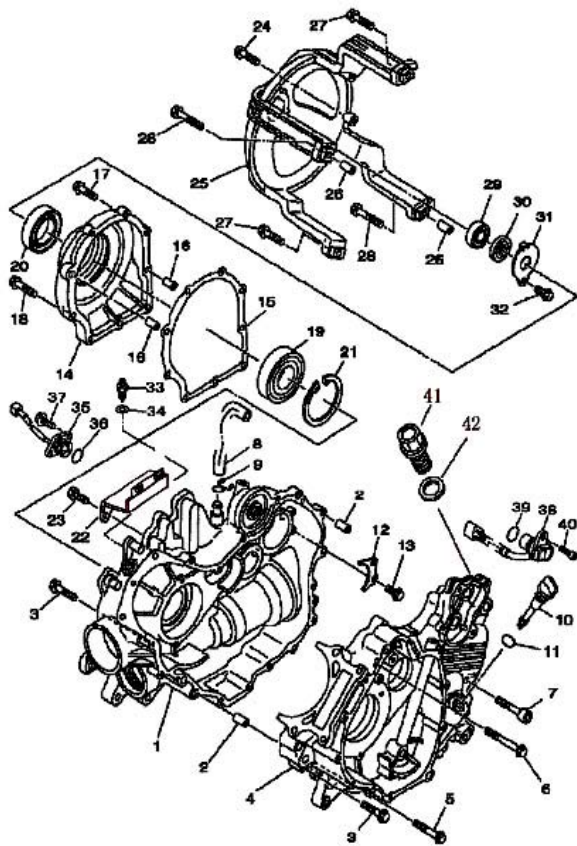
No.	Part No.	Part Name And Standard	Q'ty
1	13200-F39-0000	Crankshaft connecting bar assy	1
2	13304-F39-0000	Balance main driving gear	1
3	13305-F39-0000	Locating plate, driving gear	1
4	13302-F39-0000	Buffering spring	8
5	13303-F39-0000	Pin 6×9.4	4
6	90701-F39-0000	Circlipn 35	1
7	90618-F12-0000	Washer 10×30×3.2	1
8	GB/T 5783-2000	Hexagon bolt&Flat washer comp. M10×40	1
9	91207-F39-0000	O-ring seal gasket 16.1×3.1	1
10	GB/T 276-1994	Bearing 6307	1
11	13101-F39-0000	Poston	1
12	13120-F39-0000	Piston ring set	1
13	13111-F39-0000	Piston ring	1
14	91301-F39-0000	Circlip,piston pin	2
15	13401-F39-0000	Seal circle cover	1
16	13402-F39-0000	Seal ring	2
17	13300-F39-0000	Balance shaft assy	1
18	13320-F39-0000	Balance driven gear assy	1
19	GB/T 1095-2003	Key B5×12.4	1
20	GB/T6172.1-2000	Nut M18×1	1
21	13321-F39-0000	Floor clip	1
22	GB/T 276-1994	Bearing 6305	1





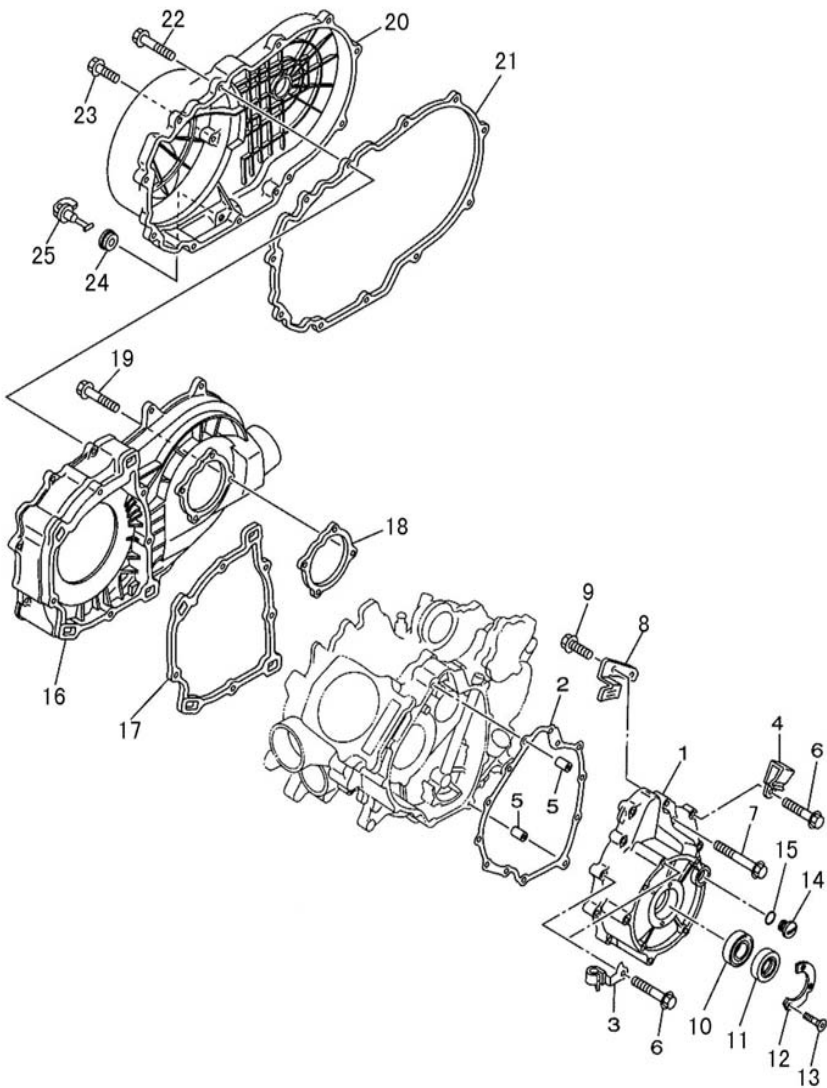
### CRANKCASE (1/2)

No.	Part No.	Part Name And Standard	Q'ty
1	11200-F39-0000	Right crankcase assy	1
2	90803-F11-0000	Nest pin 10×15.7	2
3	GB/T 16674-1996	Hexagon flange bolt M6×30	12
4	11100-F39-0000	Left crankcase assy	1
5	GB/T 16674-1996	Hexagon flange bolt M6×40	2
6	GB/T 5789-1986	Hexagon flange bolt M6×55	1
7	GB/T 70.1-2000	Socket head screw M8×40	3
8	91202-058-0000	Wast pipe,engine	1
9	91503-058-0000	Clip,wast	1
10	15651-F39-0000	Oil indicator	1
11	91216-F39-0000	O-ring seal gasket 20×2.3	1
12	11111-F39-0000	Pressure plate, bearing	1
13	GB/T 16674-1996	Hexagon flange bolt M6×14	2
14	21240-F39-0000	Bearing seat,out cover	1
15	21241-F39-0000	Seal seat,bearing	1
16	90803-F11-0000	Nest pin 10×16	2
17	GB/T 16674-1996	Hexagon flange bolt M6×30	7
18	GB/T 16674-1996	Hexagon flange bolt M6×40	2
19	GB/T 276-1994	Bearing 16010	1
20	91102-F39-0000	Oil seal 35×65×8	1
21	90704-F39-0000	Circlip 80	1
22	17115-F39-0000	Bracket, exhaust pipe	1



### CRANKCASE (2/2)

No.	Part No.	Part Name And Standard	Q'ty
23	GB/T 5789-1986	Hexagon flange bolt M6×16	2
24	GB/T 5789-1986	Hexagon flange bolt M6×20	2
25	11330-F39-0000	Bracket, clutch protecting cover	1
26	90801-F39-0000	Nest pin 10×16	2
27	GB/T 5789-1986	Hexagon flange bolt M6×30	2
28	GB/T 5789-1986	Hexagon flange bolt M6×40	2
29	GB/T 276-1994	Bearing 6201RD	1
30	91101-F12-0000	Oil seal 12×32×6	1
31	11331-F12-0000	Pressure plate, pressure plate	1
32	GB/T 16674-1996	Hexagon flange bolt M6×12	1
33	37180-F39-0000	Speed switch	1
34	90603-F12-0000	Washer 10×16×1	1
35	37120-F39-0000	Speed shown comp.	1
36	91208-F39-0000	O-ring seal gasket 29.6×2.4	1
37	GB/T 9074.14-88	Hexagon head bolt&Flat washer comp. M6×16	2
38	36500-F39-0000	Speed sensor	1
39	91209-F39-0000	O-ring seal gasket 14.8×2.45	1
40	GB/T 70.1-2000	Socket cap screw M6×16	1
41	43611-F39-0000	Stop jack bolt	1
42	90609-F39-0000	Washer 14×20×1.5	1

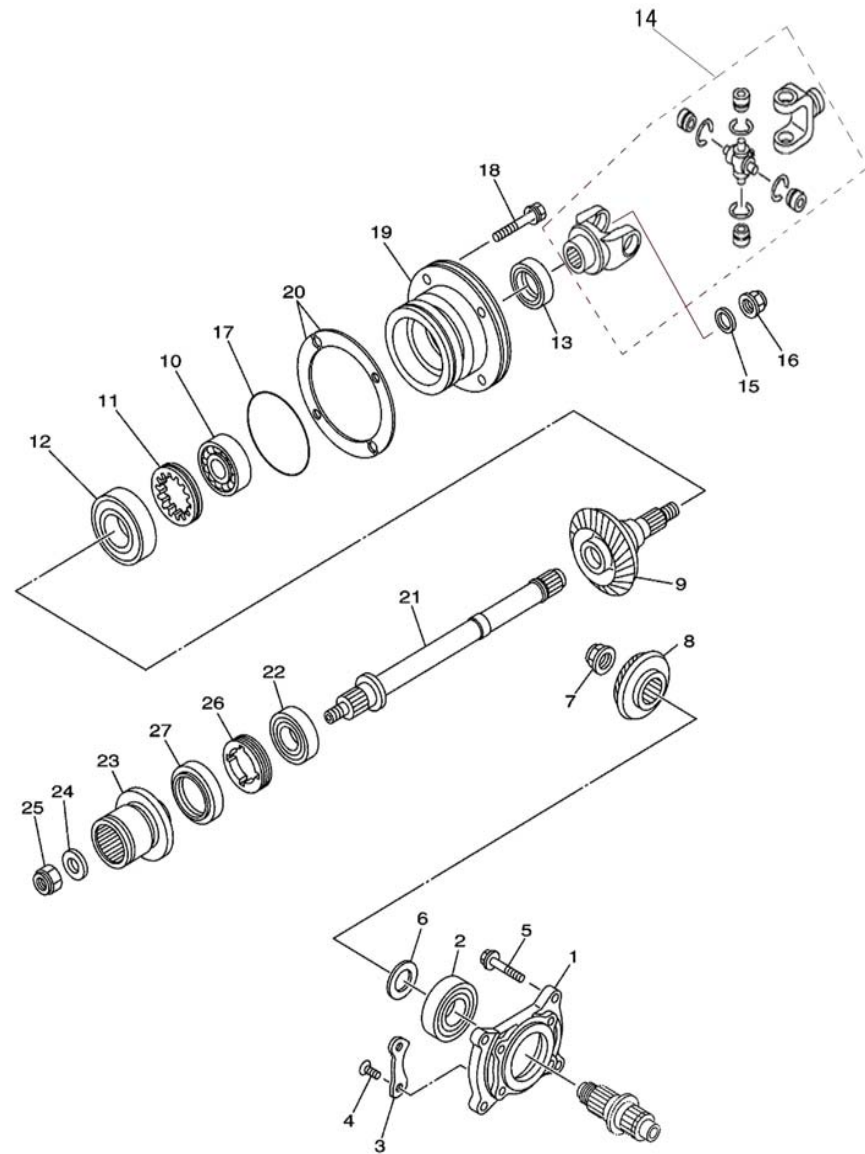


**CRANKCASE COVER 1 (1/2)**

No.	Part No.	Part Name And Standard	Q'ty
1	11321-F39-0000	Cover, Lef t& front	1
2	11323-F39-0000	Seal gasket,cover, Lef t& front	1
3	91501-F39-0000	Pipe clamp	1
4	91601-F39-0000	Wire clamp	1
5	90803-F11-0000	Nest pin 10×15.7	2
6	GB/T 16674-1996	Hexagon flange bolt M6×30	9
7	GB/T 16674-1996	Hexagon flange bolt M6×40	4
8	11322-F39-0000	Pressure plate	1
9	GB/T 16674-1996	Hexagon flange bolt M6×14	2
10	GB/T 276-1994	Bearing 60/28	1
11	91103-F12-0000	Oil seal 28×52×8.2	1
12	11324-F11-0000	Pressure plate,old seal	1
13	GB/T819.1-2000	Cross plug sunk screw M6×16	2
14	11325-F39-0000	Inspection port	1
15	91217-F39-0000	O-ring seal gasket 13.4×2.35	1
16	11450-F39-0000	Clutch cover seat assy	1
17	11411-F39-0000	Seal gasket,Clutch cover seat I	1
18	11412-F39-0000	Seal gasket,Clutch cover seat II	1
19	GB/T 5789-1986	Hexagon flange bolt M6×30	7
20	11400-F39-0000	Clutch cover assy	1
21	11413-F39-0000	Seal gasket,clutch cover	1
22	GB/T 5789-1986	Hexagon flange bolt M6×25	12





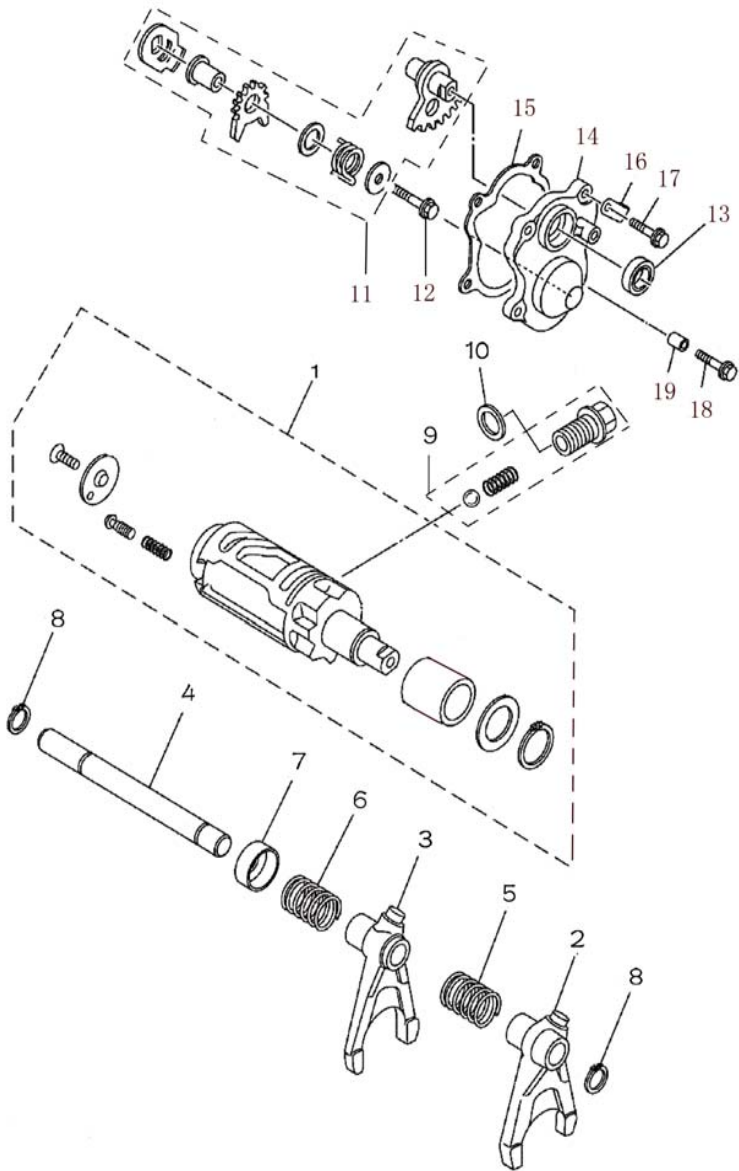


### MIDDLE DRIVE GEAR (1/2)

No.	Part No.	Part Name And Standard	Q'ty
1	22140-F39-0000	Shaft block,X output shaft	1
2	GB/T 276-1994	Bearing 6305	1
3	22142-F12-0000	Pressure plate, bearing	2
4	GB/T 819.2-1997	Plug sunk screw M8×24	4
5	GB/T 5789-1986	Hexagon flange bolt M8×30	4
6	90606-F39-0000	Washer 26×38× (0.10~0.60)	2
7	GB/T 6172.1-2000	Nut M22	1
8	22141-F39-0000	Bevel drive gear	1
9	22150-F39-0000	Bevel driven gear	1
10	GB/T 276-1994	Bearing 6207	1
11	22158-F39-0000	Lock ring M60	1
12	GB/T 276-1994	Bearing 63/22	1
13	91106-F12-0000	Oil seal 30×46×8	1
14	22160-F39-0000	Gimbal assy	1
15	90607-F39-0000	Washer 16.5×28×4	1
16	90301-F39-0000	Lock nut M16	1
17	91201-F11-0000	O-ring gasket 88×2.8	1
18	GB/T 9074.14-88	Hexagon head bolt&Flat washer comp.M8×30	4
19	22151-F39-0000	Shaft block,Y output shaft	1
20	22152-F39-0000	Gap adjustment shim, bevel pinion 0.10~0.60	3
21	22156-F39-0000	Y output shaft	1
22	GB/T 276-1994	Bearing 6205	1

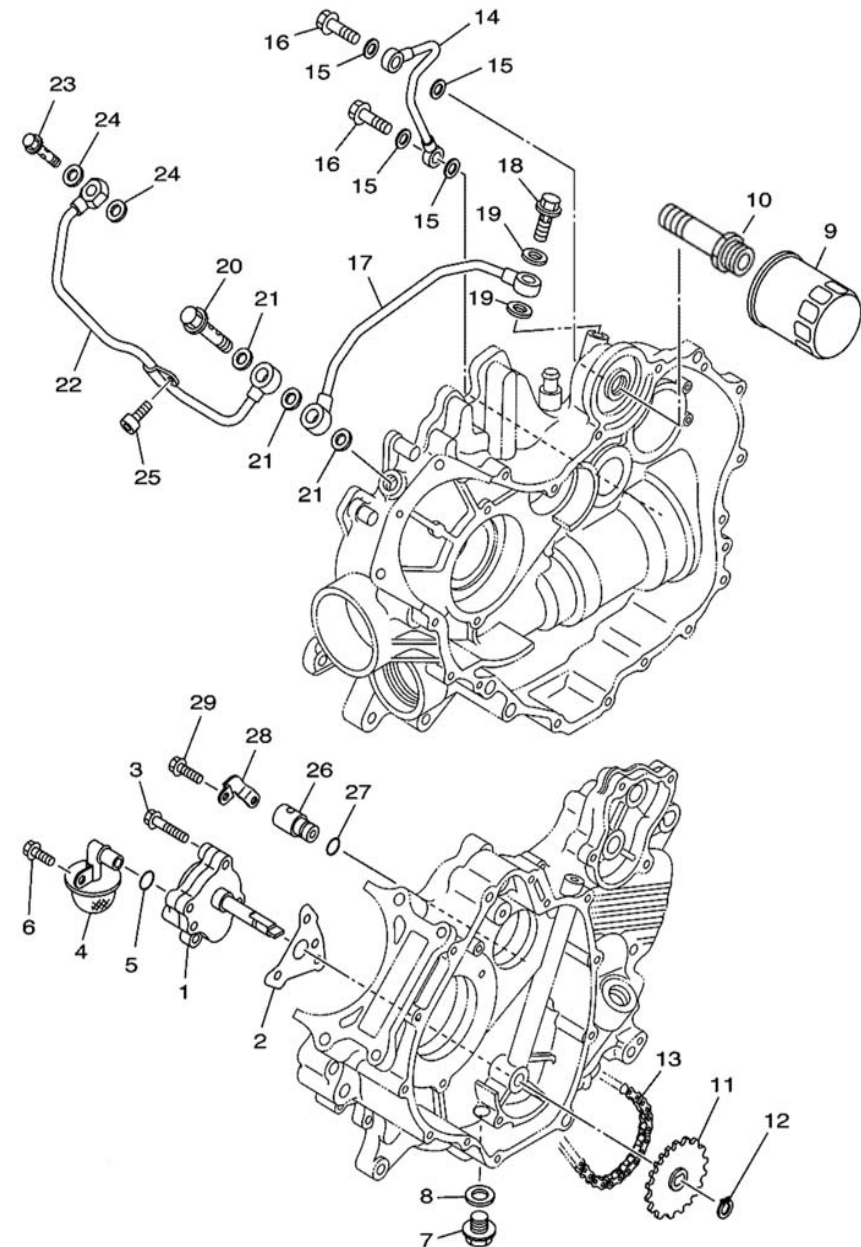






### SHIFT CAM FORK

No.	Part No.	Part Name And Standard	Q'ty
1	23200-F39-0000	Shift cam assy	1
2	23101-F39-0000	Fork, shift R	1
3	23102-F39-0000	Fork, shift HL	1
4	23103-F39-0000	Shift fork shaft	1
5	23104-F39-0000	Spring, shift R	1
6	23105-F39-0000	Spring, shift HL	1
7	23106-F39-0000	Spring seat	1
8	90702-F39-0000	Circlip 12	2
9	23300-F39-0000	Nest bolt assy,Changing gear	1
10	90617-F39-0000	Washer 14×22×1	1
11	23340-F39-0000	Drive and driven gear assy,change speed	1
12	GB/T 5789-1986	Hexagon flang boltM6×35	1
13	91111-F12-0000	Oil seal 15×25×5	1
14	23311-F39-0000	Side cover,change speed	1
15	23312-F39-0000	Seal gasket,side cover,change speed	1
16	91602-F39-0000	Clip II	1
17	GB/T 16674-1996	Hexagon flang bolt M6×20	3
18	GB/T 16674-1996	Hexagon flang bolt M6×30	1
19	GB/T 16674-1996	Nest pin 8×11.7	1



**OIL PUMP (1/2)**

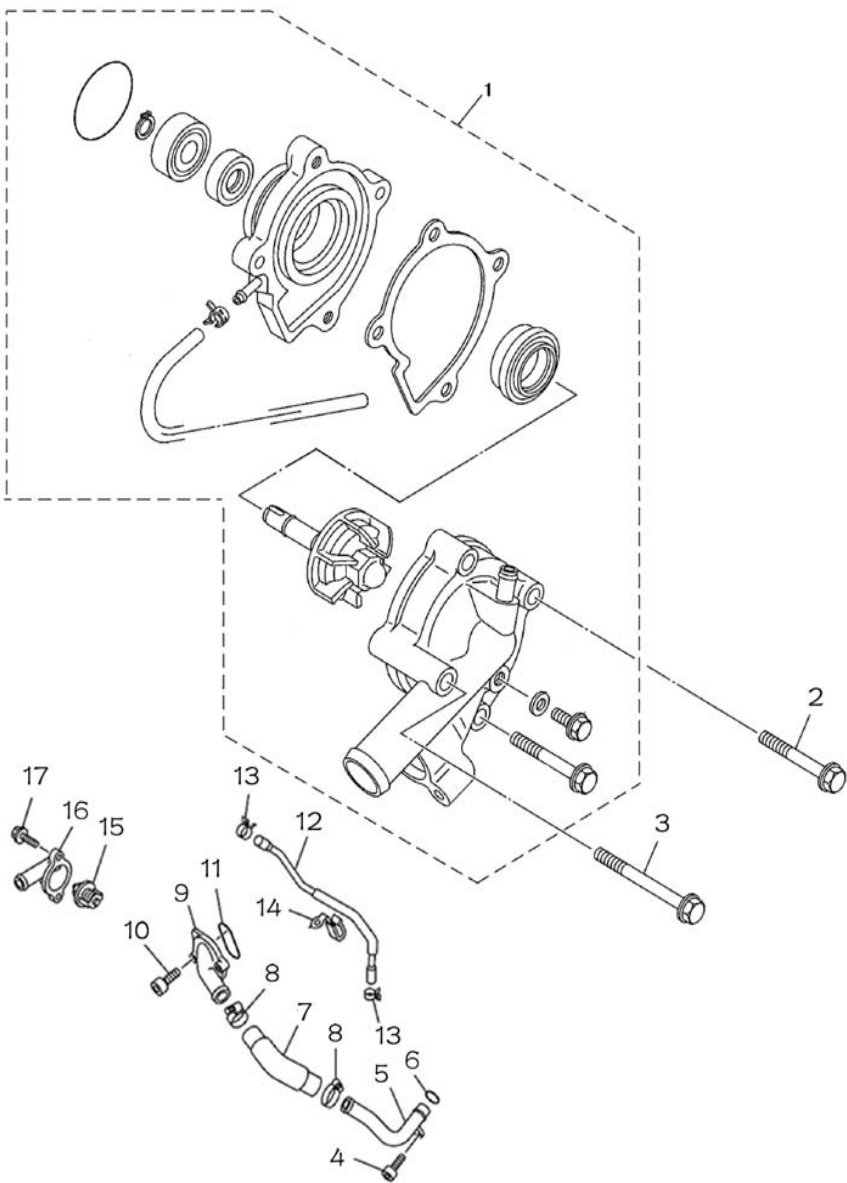
No.	Part No.	Part Name And Standard	Q'ty
1	15100-F39-0000	Oil pump assy	1
2	15101-F39-0000	Gasket,oil pump	1
3	GB/T 16674-1996	Hexagon flang bolt M6×40□	3
4	15300-F39-0000	Oil filt screen assy	1
5	91210-F39-0000	O-ring seal gasket 14×2.3	1
6	GB/T 16674-1996	Hexagon flang bolt M6×14	1
7	GB/T 5789-1986	Purge cock M14×16	1
8	90612-F39-0000	Washer	1
9	15200-F39-0001	Oil filter assy	1
10	15201-F39-0001	Tie-in,filter	1
11	15102-F39-0000	Driven sprocket,	1
12	90703-F39-0000	Circlip 11	1
13	04CH-70	Chain, oil pump	1
14	15301-F39-0000	Oil pipe I	1
15	90613-F39-0000	GASKET	4
16	15304-F39-0000	Oil pipe bolt I M8×20	2
17	15302-F39-0000	Oil pipe II	1
18	15305-F39-0000	Oil pipe bolt II M14×28.5	1
19	90609-F39-0000	Washer 14×20×1.5	2
20	15307-F39-0000	Oil pipe bolt IV M14×50	1
21	90609-F39-0000	Washer 14×20×1.5	3
22	15303-F39-0000	Oil pipe III	1











**WATER PUMP**

No.	Part No.	Part Name And Standard	Q'ty
1	19700-F39-0000	Water pump assy	1
2	GB/T 16674-1996	Hexagon flang bolt M6×45□	1
3	GB/T 16674-1996	Hexagon flang bolt M6×65□	1
4	GB/T 70.1-2000	Socket cap screw M6×10	1
5	19272-F39-0000	Water pipe II	1
6	91213-F39-0000	O-ring seal gasket 20.7×2.6	1
7	19273-F39-0000	Water pipe III	1
8	90405-F39-0000	Anchor ear, water pipe	2
9	19210-F39-0000	Tie-in, cylinder body infall	1
10	GB/T 70.1-2000	Socket cap screw M6×20	2
11	91214-F39-0000	O-ring seal gasket 20.7×2.6	1
12	19271-F39-0000	Water pipe I	1
13	90404-F39-0000	Bar clasp II	2
14	91502-F39-0000	Clip II	1
15	19400-F39-0000	Thermostat	1
16	19410-F39-0000	Thermostat cover	1
17	GB/T 16674-1996	Hexagon flang bolt M6×20□	2







«