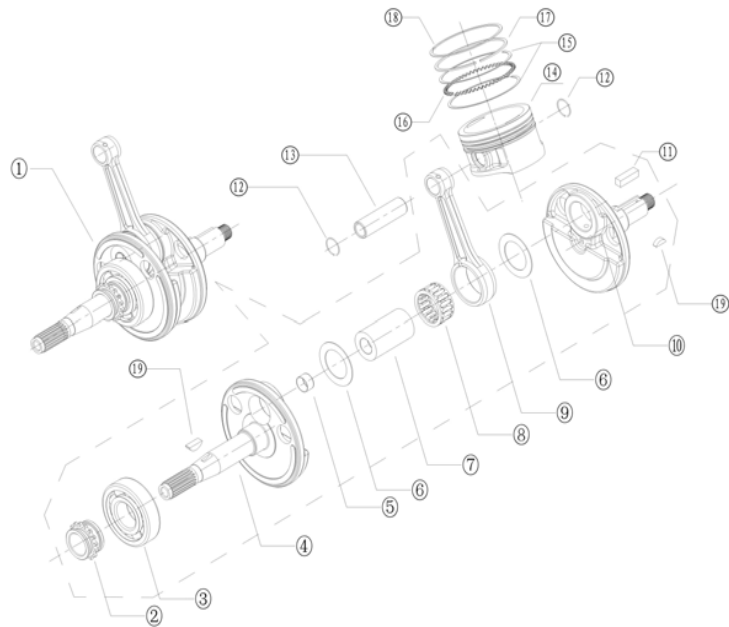


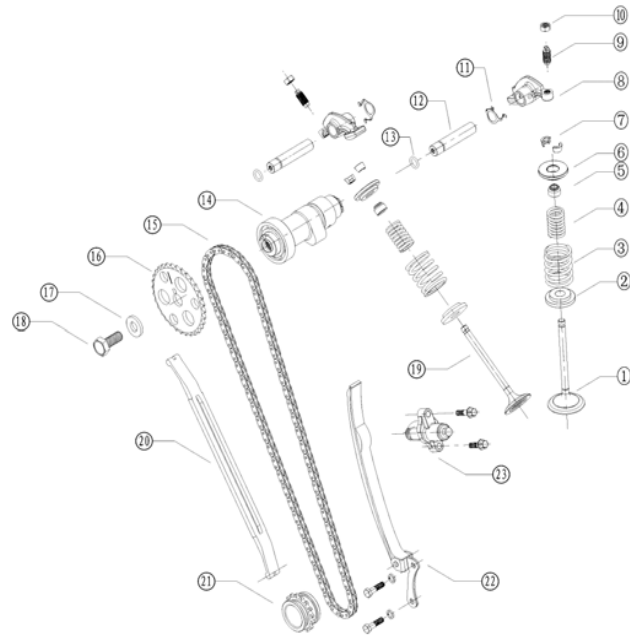
E-5. RIGHT CRANKCASE

NO.	PART NO.	PART DESCRIPTION	QTY	UNIT PRICE
1	11101-F11-0000	CRANKCASE COMP., R.	1	
2	90108-F11-0000	BOLT	2	
3	90606-F11-0000	WASHER, PLATE 8×1.2	4	
4	11102-F11-0000	HOLDER, CLUTCH CABLE	1	
5	11103-F11-0000	PIPE, DELIVERY	1	
6	GB/T 16674-1996	HEXAGON BOLT, FLANGE M14×21	1	
7	90605-F11-0000	WASHER, PLATE 14.5×22×1	1	
8	11104-F11-0000	SPRING	1	
9	11105-F11-0000	BALL 9.5	1	
10	90101-F11-0000	PIN, BOLT	1	
11	GB/T 276-1994	BEARING 6004Z(HALF SEAL)	1	
12	91105-F11-0000	OIL SEAL 20×52×3.5	1	
13	GB/T 276-1994	BEARING 6304	1	
14	90804-F11-0000	PIN, DOWEL 12×16	2	
15	11106-F11-0000	PIPE, OIL	1	
16	15203-F11-0000	STRAINER, OIL	1	
17	15204-F11-0000	SPRING, COMPRESSION	1	
18	91205-F11-0000	O-RING 36×3.5	1	
19	11107-F11-0000	PLUG, DRAIN	1	
20	GB/T 819.2-1997	COUNTERSUNK FLAT HEAD SCREW M6×16	2	
21	11108-F11-0000	PLATE, MAIN AXIS BEARING	1	
22	GB/T 276-1994	BEARING 62/22	1	
23	11109-F11-0000	PLATE, SYMMETRIZ AXIS BEARING	1	
24	GB/T 276-1994	BEARING 6003	1	
25	GB/T 818-2000	PAN HEAD SCREWS WITH CROSS RECESS M6×16	3	
26	GB/T 276-1994	BEARING 6205	1	
27	GB/T 16674-1996	HEXAGON BOLT, FLANGE M8×45	1	
28	GB/T 276-1994	BEARING 6306	1	



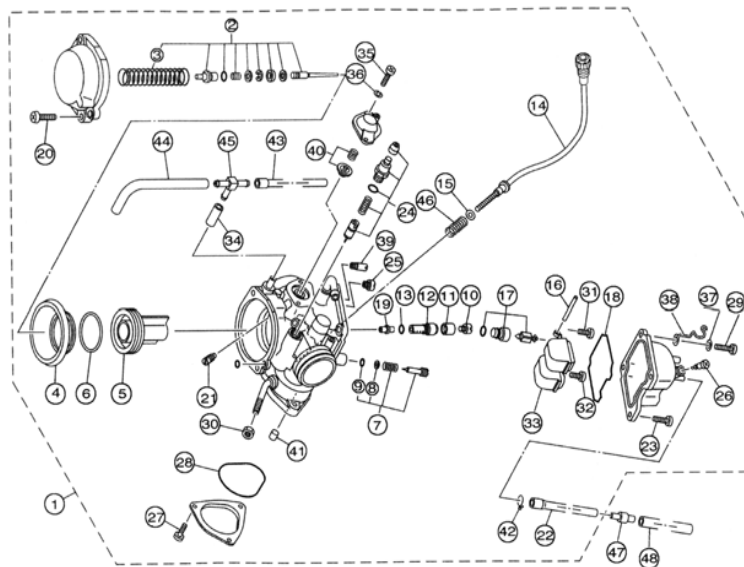
E-11. CRANKSHAFT ASSY

NO.	PART NO.	PART DESCRIPTION	QTY	UNIT PRICE
1	13300-F11-0000	CRANKSHAFT ASSY	1	
2	14311-F11-0000	SPROCKET,INITIATIVE CHAIN	1	
3	GB/T 276-1994	BEARING (6306SH4 SPECIAL)	1	
4	13321-F11-0000(350)	L. CRANK	1	
	13321-F15-0000(400)			
5	13382-F11-0000	CRANK PIN,GAS BLOCKER	1	
6	90614-F11-0000	WASHER,PLATE φ33.2×φ50×1	2	
7	13381-F11-0000	CRANK PIN	1	
8	92310-F11-0000	NEEDLE BEARING	1	
9	13201-F11-0000(350)	ROD, CONNECTING	1	
	13201-F15-0000(400)			
10	13310-F11-0000(350)	R. CRANK	1	
	13310-F15-0000(400)			
11	90806-F11-0000	KEY, STRAIGHT 7	1	
12	13115-F11-0000	CIRCLIP	1	
13	13111-F11-0000	PIN, PISTON	1	
14	13101-F11-0000	PISTON	1	
15	13014-F11-0000	PISTON RING OIL RING	2	
16	13013-F11-0000	OIL RING BUSHING RING	1	
17	13012-F11-0000	PISTON RING II	1	
18	13011-F11-0000	PISTON RING I	1	
19	90807-F11-0000	KEY, WOODRUFF 5	2	



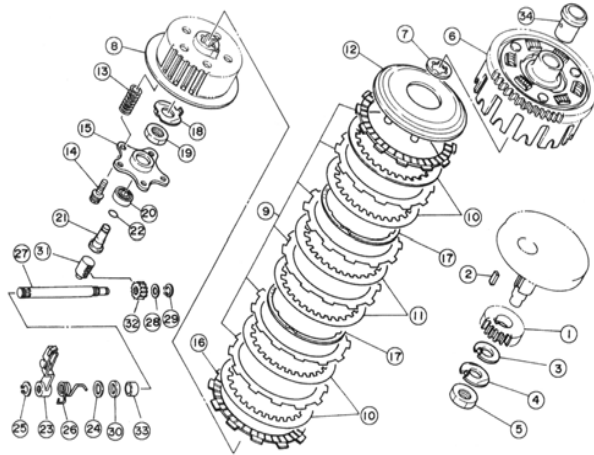
E-12. VALVE

NO.	PART NO.	PART DESCRIPTION	QTY	UNIT PRICE
1	14711-F11-0000	VALVE, INTAKE	1	
2	14771-F11-0000	SEAT, VALVE SPRING	2	
3	14751-F11-0000	SPRING, VALVE OUTER	2	
4	14761-F11-0000	SPRING, VALVE INNER	2	
5	12209-F11-0000	SEAL, VALVE STEM	2	
6	14775-F11-0000	RETAINER, VALVE SPRING	2	
7	14781-F11-0000	COTTER, VALVE	4	
8	14431-F11-0000	ARM, VALVE ROCKER	2	
9	90012-F11-0000	SCREW, VALVE ADJUSTING	2	
10	90206-F11-0000	NUT, VALVE ADJUSTING	2	
11	14452-F11-0000	WASHER, WAVE	2	
12	14451-F11-0000	SHAFT, ROCKER	2	
13	91211-F11-0000	O-RING 9×2	2	
14	14100-F11-0000	CAMSHAFT ASSY	1	
15	7.774-90	CHAIN (BF05M 90L)	1	
	7.774-92	CHAIN (BF05M 92L)	1	
16	14321-F11-0000	CHAIN (BF05M 90L)	1	
17	90615-F11-0000	WASHER, PLATE 10×3	1	
18	GB/T 5783-2000	HEXAGON HEAD BOLT M10×25	1	
19	14721-F11-0000	VALVE, EXHAUST	1	
20	14630-F11-0000	GUIDE STRIP	1	
21	14311-F11-0000	SPROCKET, INITIATIVE CHAIN	1	
22	14520-F11-0000	GUIDE, STOPPER ASSY	1	
23	14500-F11-0000	TENSIONER ASSY, CAM CHAIN	1	



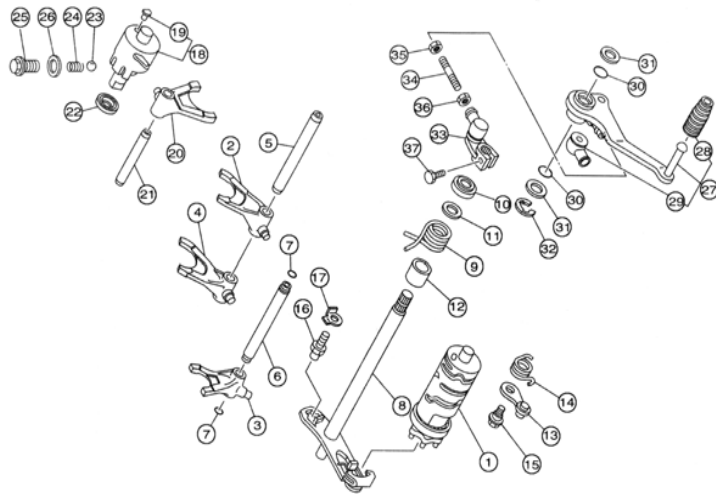
E-22. CARBURATOR ASSY (1 OF 2)

NO.	PART NO.	PART DESCRIPTION	QTY	UNIT PRICE
1	16100-F11-0000	CARBURETOR ASSY	1	
2	16101-F11-0000	NEEDLE SET	1	
3	16102-F11-0000	SPRING, DIAPHRAGM	1	
4	16103-F11-0000	DIAPHRAGM ASSY	1	
5	16104-F11-0000	VALVE, THROTTLE	1	
6	16105-F11-0000	RING	1	
7	16106-F11-0000	PILOT SCREW SET	1	
8	16107-F11-0000	WASHER	1	
9	16108-F11-0000	O-RING	1	
10	16109-F11-0000	JET, MAIN (# 142.5)	1	
11	16110-F11-0000	RING	1	
12	16111-F11-0000	HOLDER	1	
13	16112-F11-0000	O-RING	1	
14	16113-F11-0000	SCREW, AIR ADJUSTING	1	
15	16114-F11-0000	WASHER	1	
16	16115-F11-0000	PIN, FLOAT	1	
17	16116-F11-0000	NEEDLE VALVE ASSY	1	
18	16117-F11-0000	O-RING	1	
19	16118-F11-0000	NOZZLE, MAIN	1	
20	16119-F11-0000	SCREW	2	
21	16120-F11-0000	JET, MAIN (#165)	1	
22	16121-F11-0000	PIPE	1	
23	16122-F11-0000	SCREW, PAN HEAD	3	
24	16123-F11-0000	STARTER SET	1	
25	16124-F11-0000	JET,PILOT AIR (#70)	1	
26	16125-F11-0000	PLUG, DRAIN	1	
27	16126-F11-0000	SCREW, PAN HEAD	3	
28	16127-F11-0000	O-RING	1	
29	16128-F11-0000	SCREW, PAN HEAD M4×12	1	



E-23. CLUTCH ASSY (1 OF 2)

NO.	PART NO.	PART DESCRIPTION	QTY	UNIT PRICE
1	21107-F11-0000	GEAR, PRIMARY DRIVE	1	
2	90810-F11-0000	KEY, STRAIGHT	1	
3	91401-F11-0000	WASHER, LOCK	1	
4	91402-F11-0000	WASHER, LOCK	1	
5	90301-F11-0000	NUT	1	
6	21110-F11-0000	PRIMARY DRIVEN GEAR COMP. (76T)	1	
7	90629-F11-0000	PLATE, THRUST 1	1	
8	21210-F11-0000	BOSS, CLUTCH	1	
9	21230-F11-0000	PLATE, FRICTION 2	6	
10	21206-F11-0000	PLATE, CLUTCH 2 (T=1.5)	4	
11	21205-F11-0000	PLATE, CLUTCH 1 (T=2.0)	2	
12	21201-F11-0000	PLATE, PRESSURE 1	1	
13	21204-F11-0000	SPRING, COMPRESSION	5	
14	90110-F11-0000	SCREW, WITH WASHER	5	
15	21202-F11-0000	PLATE, PRESSURE 2	1	
16	21220-F11-0000	PLATE, FRICTION	1	
17	21203-F11-0000	SPRING, CLUTCH BOSS	2	
18	90630-F11-0000	WASHER, LOCK	1	
19	90302-F11-0000	NUT	1	
20	GB/T 276-1994	BEARING 100	1	
21	21001-F11-0000	PLATE, PUSH	1	
22	91220-F11-0000	O-RING 6×2	1	
23	11434-F11-0000	PUSH LEVER ASSY	1	
24	90612-F11-0000	WASHER, PLATE 12.5×17×1	1	
25	90702-F11-0000	CIRCLIP	1	
26	11433-F11-0000	SPRING, TORSION	1	
27	11432-F11-0000	AXLE, PUSH LEVER	1	
28	90611-F11-0000	WASHER, PLATE 8×1	1	
29	90701-F11-0000	CIRCLIP 7	1	



E-24. SHIFT CAM FORK (1 OF 2)

NO.	PART NO.	PART DESCRIPTION	QTY	UNIT PRICE
1	23200-F11-0000	SHIFT CAM ASSY	1	
2	23101-F11-0000	FORK, SHIFT 1	1	
3	23102-F11-0000	FORK, SHIFT 2	1	
4	23103-F11-0000	FORK, SHIFT 3	1	
5	22211-F11-0000	BAR, SHIFT FORK GUIDE 2	1	
6	22212-F11-0000	BAR, SHIFT FORK GUIDE 1	1	
7	91216-F11-0000	O-RING	2	
8	23303-F11-0000	SHIFT SHAFT ASSY	1	
9	23301-F11-0000	SPRING, TORSION	1	
10	91104-F11-0000	OIL SEAL 14×26×6	1	
11	90617-F11-0000	WASHER, PLATE 14.5×0.5	1	
12	23302-F11-0000	SPACER	1	
13	23308-F11-0000	STOPPER LEVER ASSY	1	
14	23309-F11-0000	SPRING, TORSION	1	
15	90103-F11-0000	BOLT, FLANGE	1	
16	90104-F11-0000	STOPPER, SCREW	1	
17	23310-F11-0000	WASHER, LOCK	1	
18	23201-F11-0000	SHIFTER ASSY	1	
19	90805-F11-0000	POINT, NEUTRAL	1	
20	23104-F11-0000	FORK, SHIFT 4	1	
21	22213-F11-0000	BAR, SHIFT FORK GUIDE 1	1	
22	91108-F11-0000	OIL SEAL	1	
23	23202-F11-0000	BALL	1	
24	23203-F11-0000	SPRING, COMPRESSION	1	
25	90105-F11-0000	BOLT, FLANGE	1	
26	90631-F11-0000	WASHER, PLATE 14×22×1	1	
27	23311-F11-0000	SHIFT PEDAL ASSY	1	
28	23312-F11-0000	COVER, SHIFT PEDAL	1	
29	23313-F11-0000	COVER, DUST	1	

