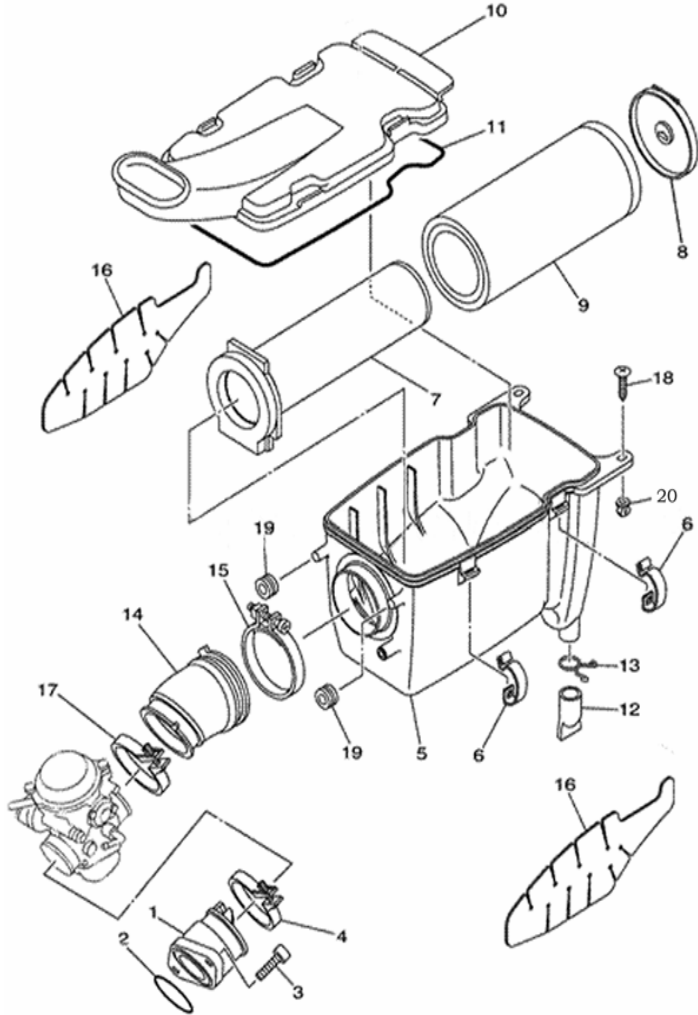


B-1. MUFFLER ASSY (1 OF 2)

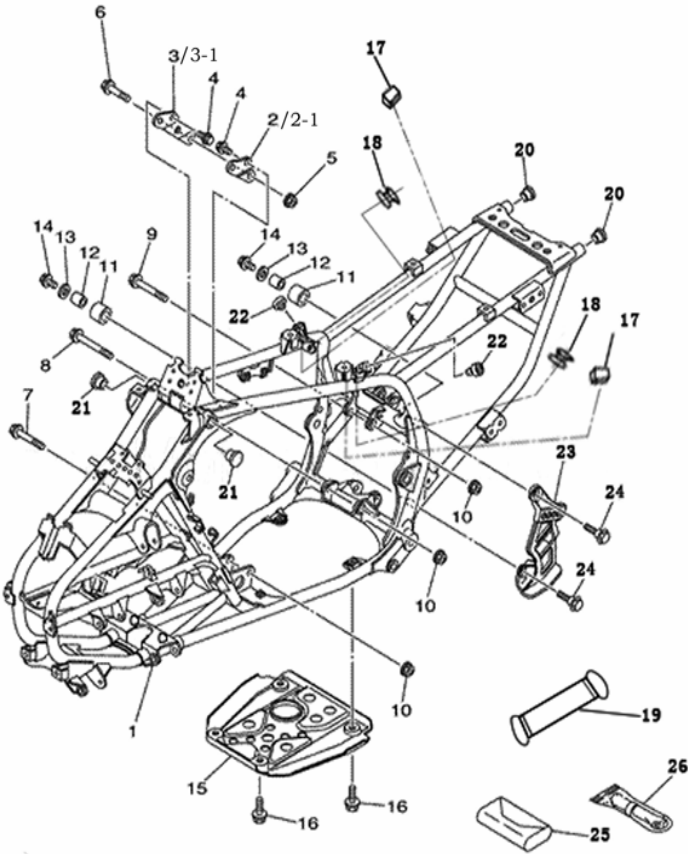
NO.	PART NO.	PART DESCRIPTION	QTY	UNIT PRICE
1	18103-025-0000	exhaust pipe	1	
2	18102-025-0000	protection cover,exhaust pipe	1	
3	GB/T818-1996	screw M6×10	4	
4	GB/T97.1-1985	washer φ6	4	
5	GB/T93-1987	washer φ6	4	
6	18150-025-0000	muffer comp	1	
7	18106-025-0000	cushion,asbestos	4	
8	18103-025-0000	heatproofed washer	4	
9	18121-025-0000	muffer protection cover	4	
10	18151-025-0000	muffer pipe	1	
11	GB/T818-1996	screw M6	1	
12	18104-025-0000	tail cover comp	1	
13	GB/T70.1-1996	screw M6×10	3	
14	18107-025-0000	clip clamp	1	
15	18101-025-0000	seal washer,muffer pipe	1	
16	GB/T923-88	nut M8,lenthened cover type	2	
17	GB/T5787-1986	bolt M8×20	2	
18	18500-025-0000	oneway valve	1	
19	GB/T5787-1986	bolt M6×16	2	
20	18501-025-0000	high temperature pipe	1	
21	18502-025-0000	clip	2	
22	18503-025-0000	seal cushion	1	
23	18504-025-0000	small air filter	1	



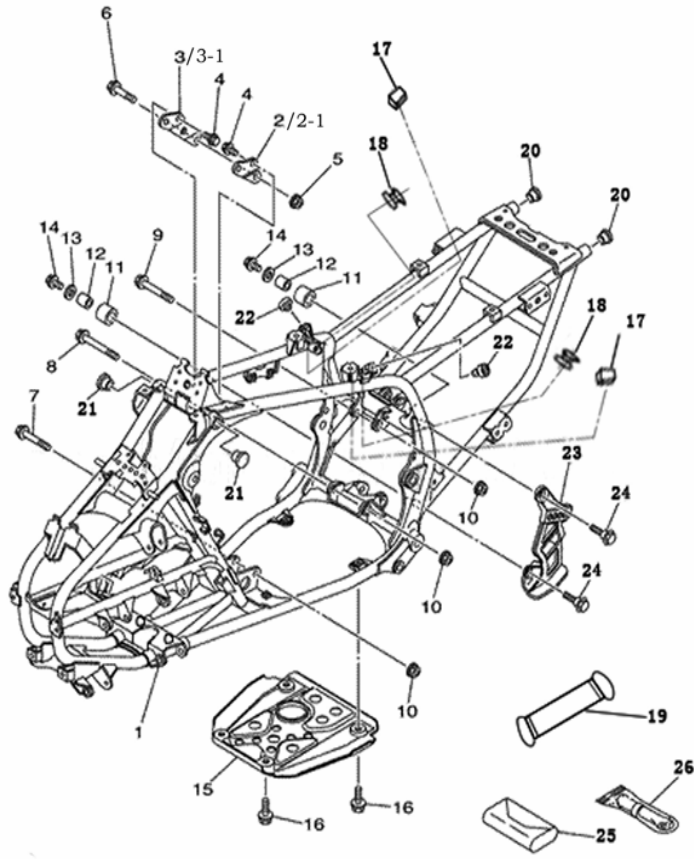
B-2. AIR FILTER

NO.	PART NO.	PART DESCRIPTION	QTY	UNIT PRICE
1	14800-025-0000	inlet pipe,engine	1	
2	17109-025-0000	seal washer	1	
3	GB/T70-88	bolt M8×20	2	
4	17105-025-0000	outlet pipe clamp,carburetor	1	
5	17102-025-0000	air filter case	1	
6	17110-025-0000	clip	4	
7	17101-025-0000	filter core,air filter case	1	
8	17111-025-0000	filter core cover	1	
9	17112-025-0000	filter net,air filter case	1	
10	17103-025-0000	air filter cover	1	
11	17117-025-0000	seal cushion	1	
12	17113-025-0000	elastic sheath	1	
13	17114-025-0000	clip spring	1	
14	17115-025-0000	inlet pipe,carburetor	1	
15	17107-025-0000	outlet clamp,air filter	1	
16	17116-025-0000	silver paper,heat proof	2	
17	17104-025-0000	inlet clamp,carburetor	1	
18	GB/T845-1985	screw ST5.8×25	2	
19	GB/T96-1985	washer φ6	2	
20	90302-025-0000	elastic tapping nut	2	

B-3. FRAME (1 OF 2)				
NO.	PART NO.	PART DESCRIPTION	QTY	UNIT PRICE
1	51100-025-0000	frame body	1	
2	54303-025-0000	connecting plate,engine left&upper	1	
2-1	54303-048-0000	connecting plate,engine left&upper	1	
3	54302-025-0000	connecting plate,engine right&upper	1	
3-1	54302-048-0000	connecting plate,engine right&upper	1	
4	GB/T5787-1986	bolt M8×14	4	
5	GB/T6187-1986	nut M10×1.25	1	
6	GB/T5787-1996	nut M10×1.25×55	1	
7	GB/T5787-1996	nut M10×1.25×75	1	
8	GB/T5787-1996	nut M10×1.25×110	1	
9	GB/T6187-1996	nut M10×1.25×100	1	
10	GB/T6187-1996	nut M10×1.25	3	
11	92203-025-0000	rack protection sheath 1	2	
12	92202-025-0000	rack protection sheath 2	2	
13	GB/T5287-1985	wahser φ8	2	
14	GB/T5787-1986	bolt M8×12	2	
15	83700-025-0000	protection plate,engine under	1	
16	90507-025-0000	bolt M8×16	4	
17	51106-025-0000	dowel rubber,seat cushion front	2	
18	51105-025-0000	dowel rubber,seat air filter front	2	
19	92400-025-0000	tool belt L=90mm	1	
20	51102-025-0000	rubber plug,frame body rear	2	
21	51103-025-0000	rubber plug,frame body front	2	



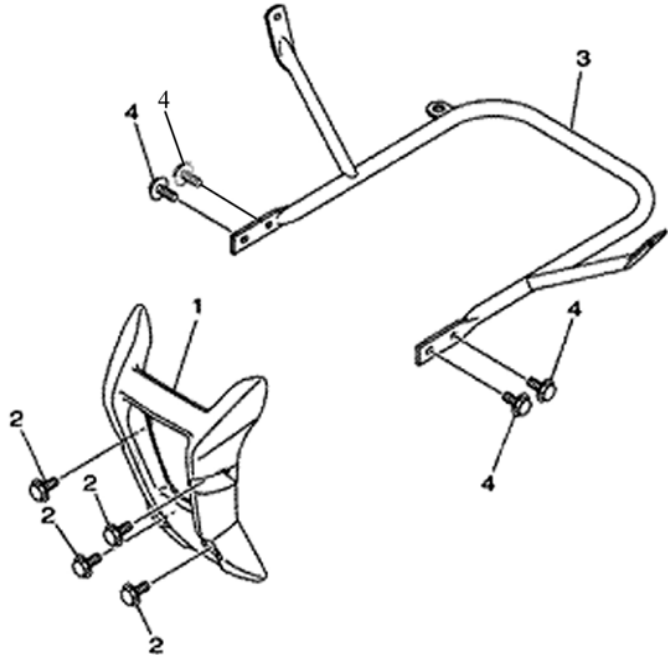
B-3. FRAME (2 OF 2)

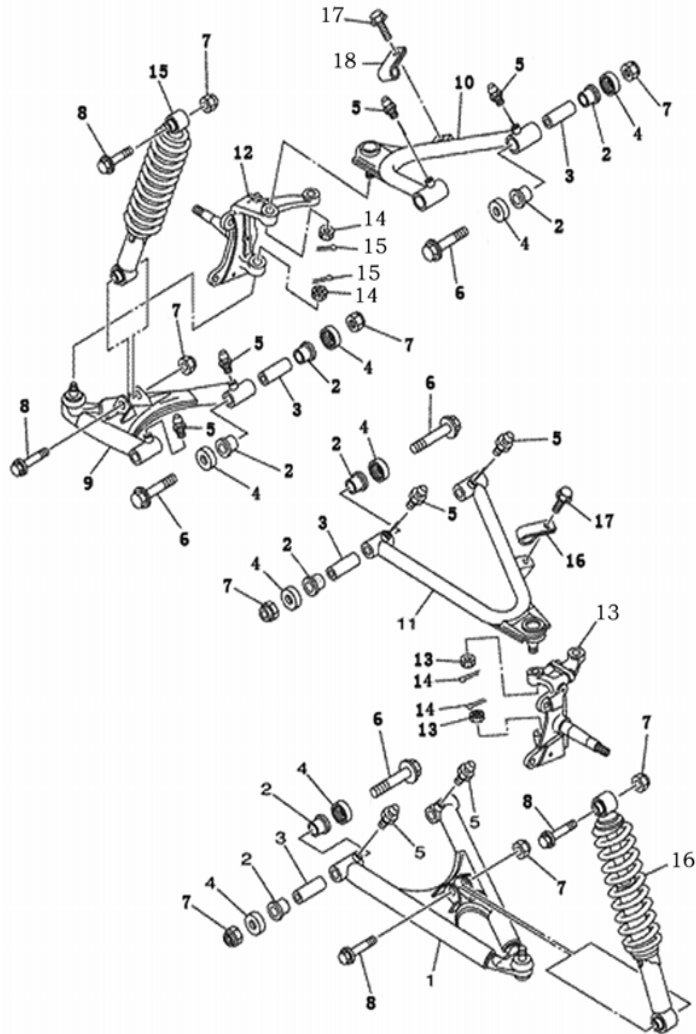


NO.	PART NO.	PART DESCRIPTION	QTY	UNIT PRICE
22	51104-025-0000	dowel rubber,frame body	2	
23	83500-025-0000	protection cover,small chain wheel	1	
24	GB/T5787-1996	bolt M6×16	2	
25	85101-025-0000	tools bag	1	
26	85100-025-0000	tool assy	1	

B-4. TAIL FRAME & FRONT PROTECTION COVER

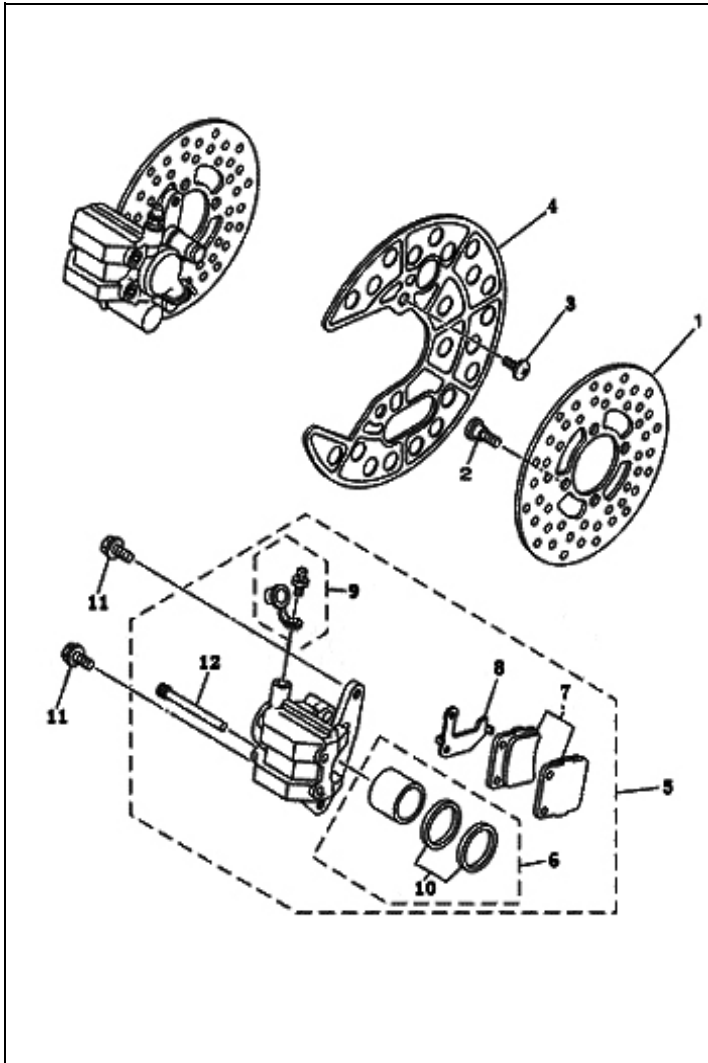
NO.	PART NO.	PART DESCRIPTION	QTY	UNIT PRICE
1	83400-025-0000	front protection cover	1	
2	GB/T5787-1986	bolt M8×12	4	
3	51101-025-0000	tail bracket	1	
4	GB/T5787-1986	bolt M8×20	4	



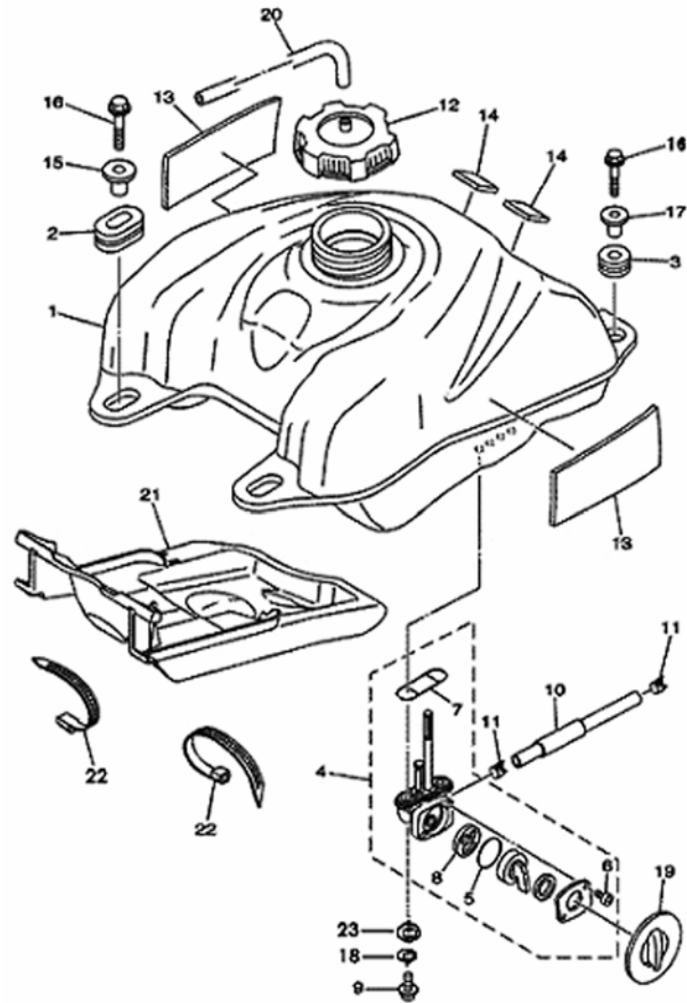


B-5. SWING ARM & FRONT DAMPER

NO.	PART NO.	PART DESCRIPTION	QTY	UNIT PRICE
1	56300-025-0000	right&under shaft arm	1	
2	56202-025-0000	elastic sheath,shaft arm	6	
3	56204-025-0000	collar pipe,shaft arm	8	
4	56203-025-0000	dust cover,shaft arm	16	
5	56205-025-0000	fuel cup	8	
6	GB/T5787-1996	bolt M10×1.25×80	8	
7	GB/T6187-1996	sexangle locked nut M10×1.25	12	
8	GB/T5787-1996	sexangle bolt M10×1.25×50	4	
9	56200-025-0000	under&left shaft arm	1	
10	56210-025-0000	upper&left shaft arm	1	
11	56310-025-0000	upper&left shaft arm		
12	56800-025-0000	front right turning nob	1	
13	56700-025-0000	front left turning nob	1	
14	GB/T9457-1988	open groove nut M10×1.25	4	
15	GB/T91-1996	cotter pin	4	
16	55300-025-0000	front shock absorber L=370mm	1	
17	44310-025-0000	fuel pipe clip	2	
18	GB/T5787-1996	sexangle flang bolt M6×16	2	

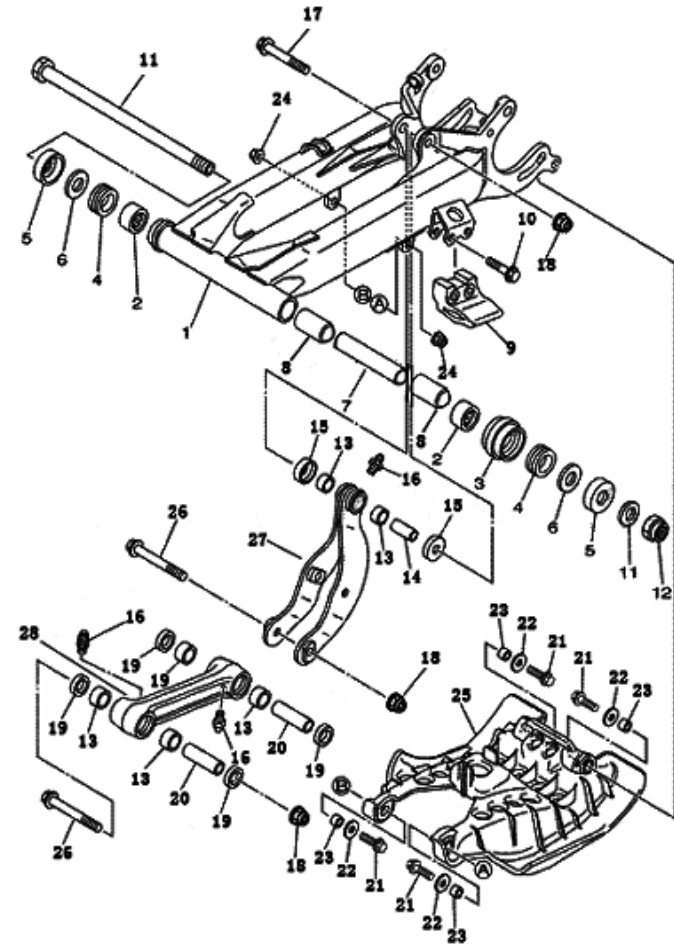


B-6. FRONT DISK BRAKE PLATE				
NO.	PART NO.	PART DESCRIPTION	QTY	UNIT PRICE
1	44302-025-0000	front disk brake plate		
2	90505-025-0000	step bolt M8×20,inner sexangle belt	8	
3	90103-025-0000	step bolt M6×14,cross groove large plate belt	4	
4	56802-025-0000	protection plate,front disk brake plate	2	
5	44305-025-0000	front disk brake clamp	2	
6	44307-025-0000	piston	2	
7	44306-025-0000	friction piece	2	
8	44308-025-0000	bracket	2	
9	44309-025-0000	fuel cup	2	
10	44310-025-0000	piston ring set	1	
11	GB/T5787-1986	sexangle flang bolt M8×14	4	
12	44311-025-0000	pin	2	



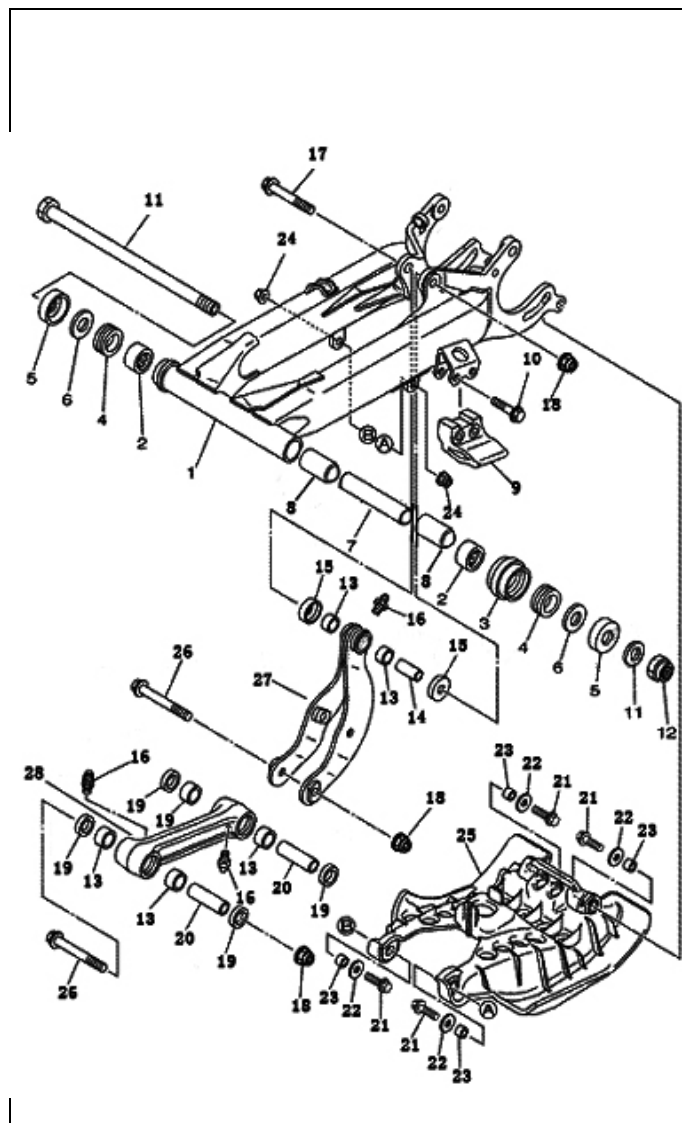
B-7. FUEL TANK COMP

NO.	PART NO.	PART DESCRIPTION	QTY	UNIT PRICE
1	81100-025-0000	fuel tank	1	
2	81106-025-0000	front rubber gasket,fuel tank	2	
3	81105-025-0000	rear rubber gasket,fuel tank	2	
4	81400-025-0000	fuel switch	1	
5	81401-025-0000	seal o-ring	1	
6	GB/T819.1-1996	screw M5×8	2	
7	81403-025-0000	seal gasket	1	
8	81406-025-0000	valve core	1	
9	GB/T818-1996	screw M6×12	2	
10	81101-025-0000	fuel pipe	1	
11	90303-025-0000	fuel pipe clip	2	
12	81300-025-0000	fuel tank cover	1	
13	81104-025-0000	shock absorber cushion 2	2	
14	81103-025-0000	shock absorber cushion 1	2	
15	90604-025-0000	washer 2	2	
16	GB/T5787-1996	bolt M6×30	4	
17	90602-025-0000	washer 1	2	
18	GB/T921-1996	washer	2	
19	82301-025-0000	dowel sheath,fuel switch	1	
20	81108-025-0000	large air pipe	1	
21	81109-025-0000	rubber fur,fuel tank bottom	1	
22	34105-025-0000	sheaf belt	2	
23	81403-025-0000	seal cushion	2	



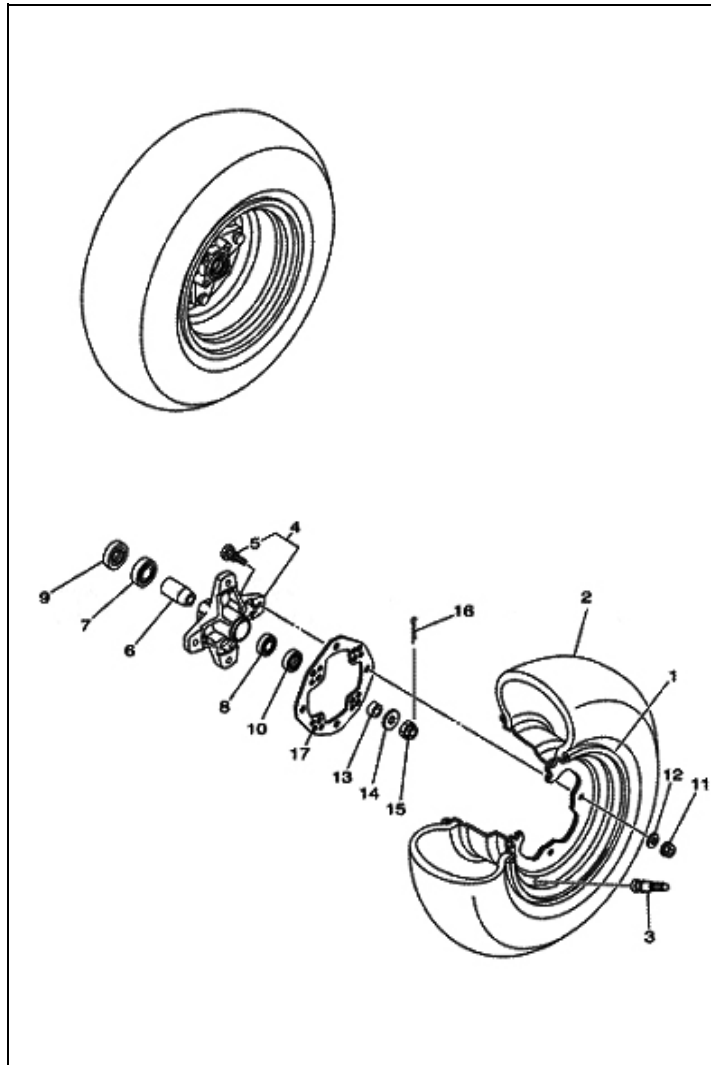
B-8. FORK & REAR DAMPER SWING SHED, MUD PLATE & REAR BRIDGE (1 OF2)

NO.	PART NO.	PART DESCRIPTION	QTY	UNIT PRICE
1	53200-025-0000	pan fork	1	
2	GB/T307.1-94	bearing	2	
3	25402-025-0000	chain guide wheel	1	
4	53213-025-0000	rubber washer	1	
5	53213-025-0000	dust cover	2	
6	53214-025-0000	washer	2	
7	53201-025-0000	inner coller pipe,pan fork	1	
8	53202-025-0000	inner coller sheath,pan fork	2	
9	25401-025-0000	chain protection cover	1	
10	GB/T5787-1996	bolt	2	
11	90206-025-0000	pan fork shaft	1	
12	GB/T6187-1996	nut M4×1.5	1	
13	54707-025-0000	bearing	6	
14	54704-025-0000	coller sheath 1	1	
15	54713-025-0000	dust cover	2	
16	13120-025-0000	fuel cup	3	
17	GB/T5787-1996	bolt M12×1.25×70	1	
18	GB/T6187-1996	nut M12×1.25	3	
19	91103-025-0000	fuel seal	4	
20	54705-025-0000	coller sheath 2	2	
21	GB/T5787-1996	bolt	4	
22	GB/T97.1-1985	washer φ8	4	
23	83701-025-0000	coller sheath	4	

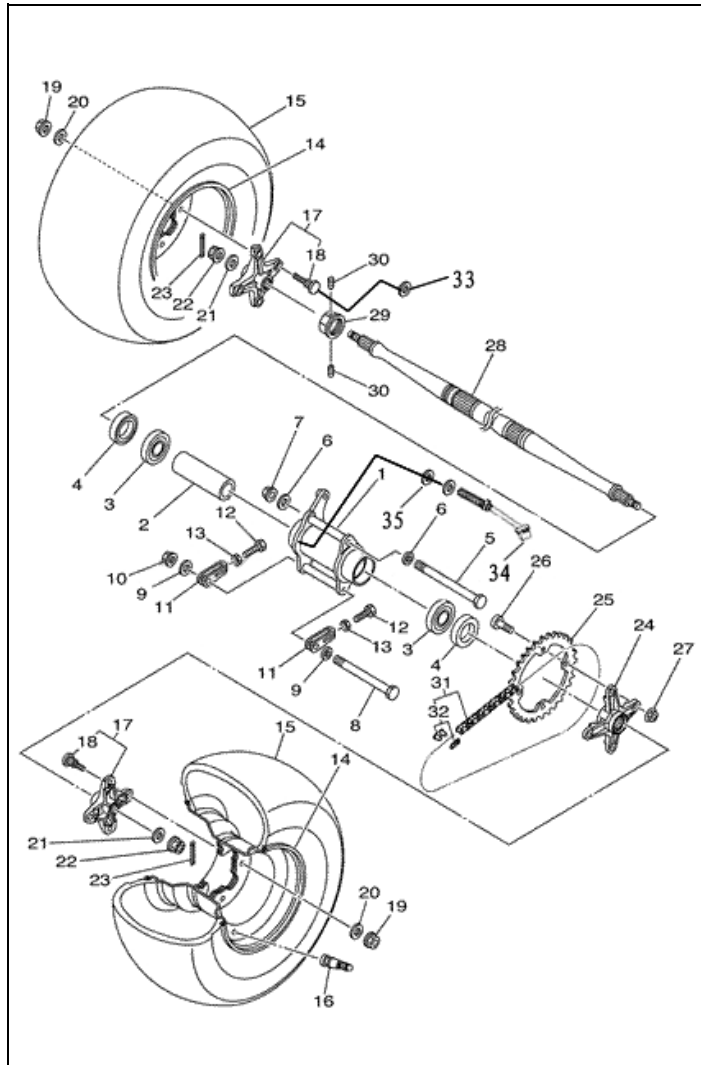


B-8. FORK & REAR DAMPER SWING SHED, MUD PLATE & REAR BRIDGE (2 OF2)

NO.	PART NO.	PART DESCRIPTION	QTY	UNIT PRICE
24	GB/T6177-1996	nut M8	4	
25	83700-025-0000	protection plate,rear bridge	1	
26	GB/T5787-1996	bolt M12×1.25×70	1	
27	54701-025-0000	shaft bracket arm	1	
28	54702-025-0000	connecting rod,shaft bracket	1	

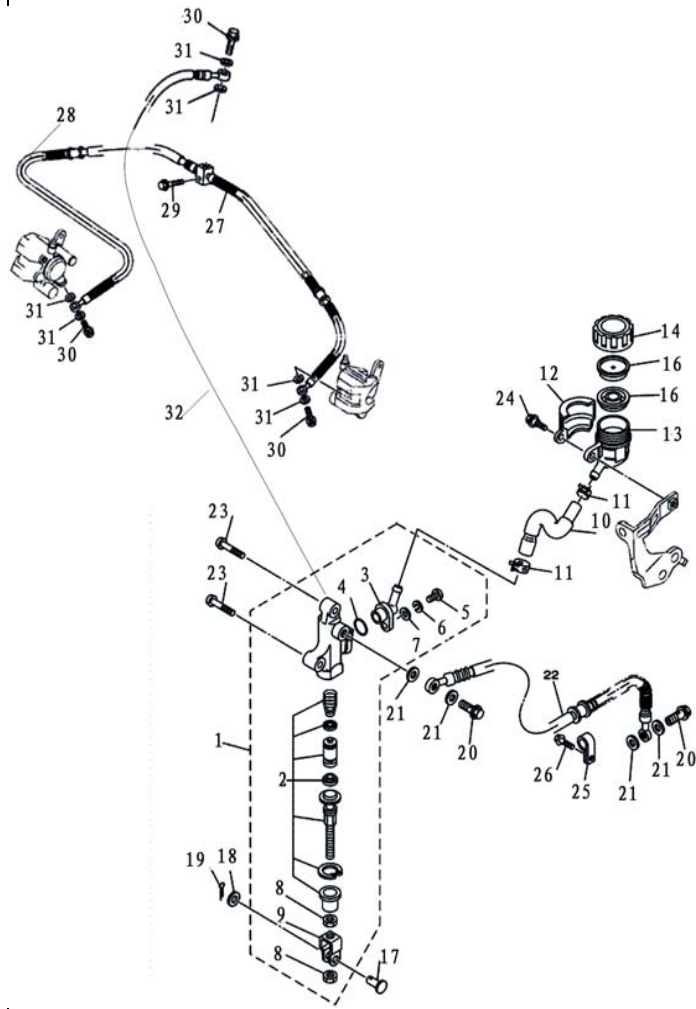


B-11. FRONT WHEEL ASSY				
NO.	PART NO.	PART DESCRIPTION	QTY	UNIT PRICE
1	41102-025-0000	front wheel hub (10×5.5AT)	2	
2	41160-025-0000	front wheel tyre (21×7-10)	2	
3	41204-025-0000	valve core	2	
4	56500-025-0000	plate seat,front disk brake	2	
5	90106-025-0000	rolled bolt M10×1.25×31	8	
6	56501-025-0000	coller sheath 1	2	
7	GB/T276-94	bearing 1	2	
8	GB/T276-94	bearing 2	2	
9	56502-025-0000	fuel seal 1	2	
10	56503-025-0000	fuel seal 2	2	
11	GB/T6187-1996	nut M10	8	
12	GB/T97.1-1985	washer φ10	8	
13	56506-025-0000	coller sheath 2	2	
14	56507-025-0000	washer φ14	2	
15	GB/T9457-1988	open groove nut M14–1.5	2	
16	GB/T91-1996	cotter pin 2×28	2	
17	41103-025-0000	front wheel cushion	2	



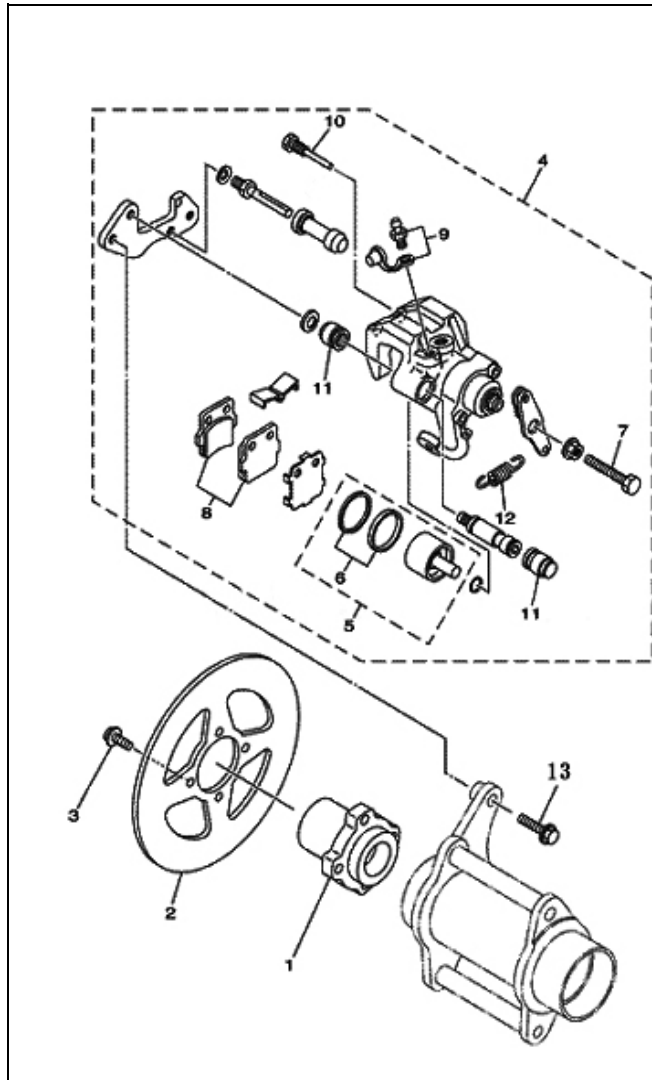
B-12. REAR WHEEL AND REAR BRIDGE ASSY (1 OF 2)

NO.	PART NO.	PART DESCRIPTION	QTY	UNIT PRICE
1	26003-025-0000	connecting seat,rear bridge	1	
2	26006-025-0000	coller sheath	1	
3	26005-025-0000	bearing	2	
4	26004-025-0000	fuel seal	2	
5	GB/T5787-1996	bolt M12×1.25×155	1	
6	GB/T97.1-1985	washer φ12	2	
7	GB/T6187-1996	nut M12×1.25	1	
8	GB/T5787-1996	bolt M10×1.25×160	1	
9	GB/T96-1985	washer φ10	2	
10	GB/T6187-1996	nut M10×1.25	1	
11	41251-025-0000	chain adjusting machine	2	
12	GB/T5783-1996	adjusting bolt	2	
13	GB/T6170-1996	locked nut	2	
14	41202-025-0000	wheel hub 9×8.5AT	2	
15	41260-025-0000	wheel tyre 20×10-9	2	
16	41201-025-0000	valve core	2	
17	26007-025-0000	rear wheel seat	2	
18	26015-025-0000	locked bolt M10×1.25×30,rear wheel	8	
19	GB/T6187-1996	nut M10×1.25	8	
20	GB/T97.1-1985	washer φ10	8	
21	26016-025-0000	washer	2	
22	GB/T9457-1988	nut M14×1.5	2	
23	GB/T91-1996	cotter pin 2.8×28	2	



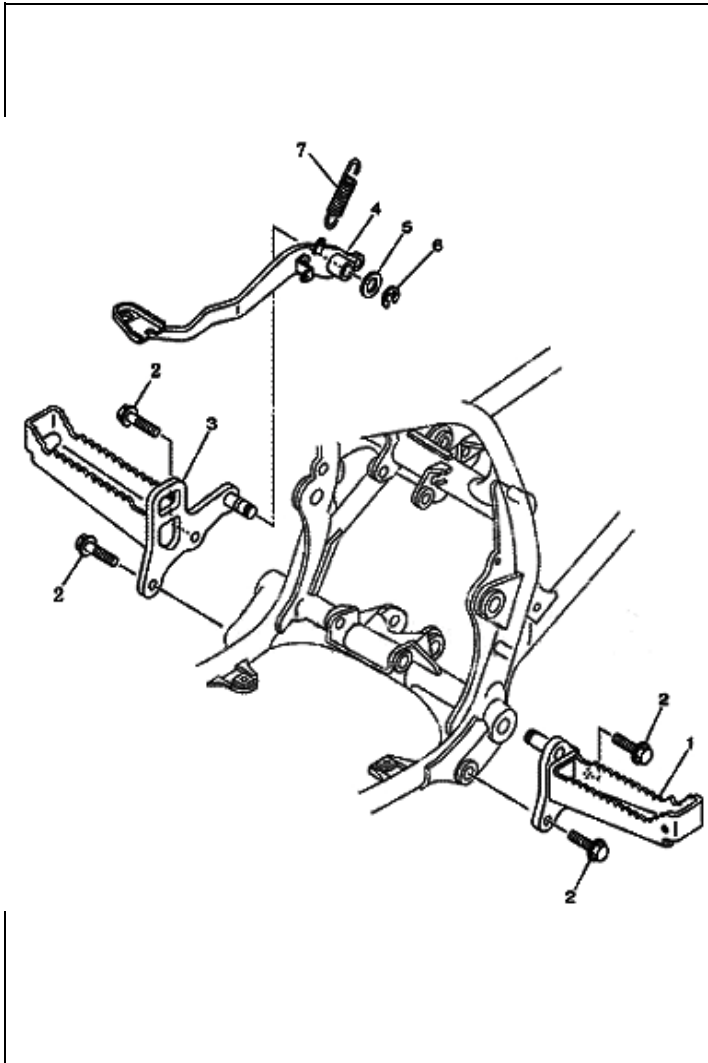
B-13. DISK BRAKE ASSY (1 OF 2)

NO.	PART NO.	PART DESCRIPTION	QTY	UNIT PRICE
1	44630-025-0000	rear disk brake pump	4	
2	44632-025-0000	piston	4	
3	44633-025-0000	connecting head,fuel cup	1	
4	44635-025-0000	seal gasket	1	
5	GB/T818-1996	bolt M4×8	1	
6	GB/T97.1-1985	washer φ4	1	
7	GB/T93-1987	washer φ5	1	
8	GB/T6170-1996	adjusting nut	2	
9	44636-025-0000	connecting head	1	
10	44637-025-0000	fuel pipe	1	
11	44638-025-0000	fuel pipe clip	2	
12	83700-025-0000	disk brake fuel cup cover	1	
13	44639-025-0000	disk brake fuel cup	1	
14	44640-025-0000	disk brake fuel cup cap	1	
15	44641-025-0000	seal rubber gasket	1	
16	44642-025-0000	seal elastic plug	1	
17	44643-025-0000	pin	1	
18	GB/T97.1-1985	washer φ4	1	
19	GB/T91-1996	cotter pin 1.5×20	1	
20	GB/T5787-1996	bolt M6×16	2	
21	44644-025-0000	washer	4	
22	44634-025-0000	fuel pipe	1	
23	GB/T70.2-1996	bolt M8×30	2	

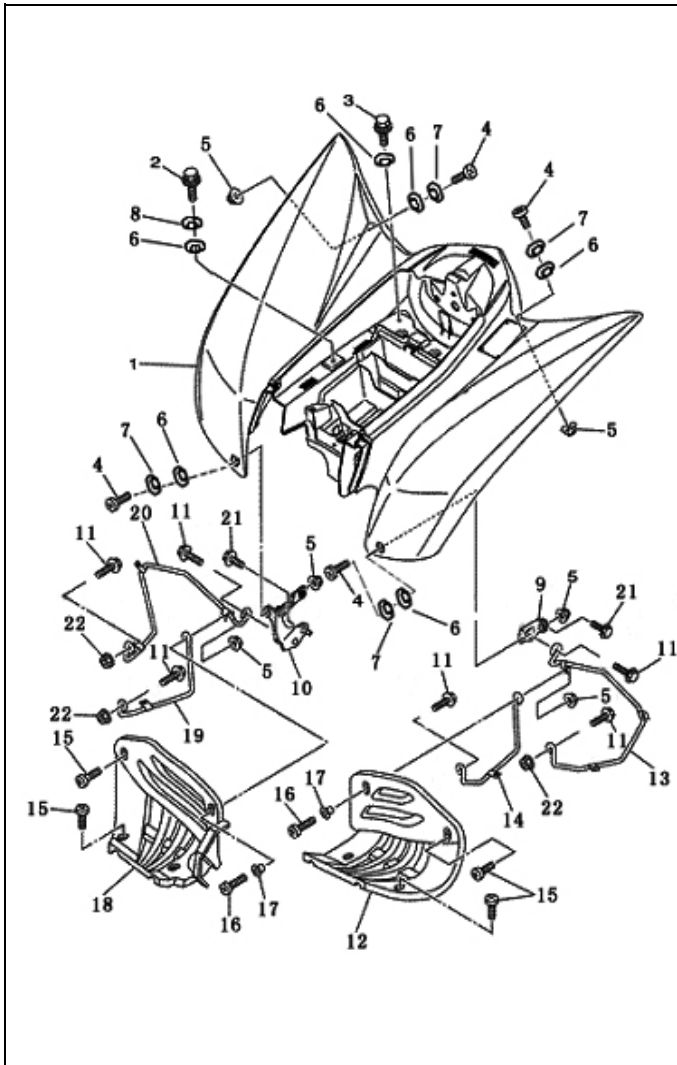


B-14. REAR DISK BRAKE ASSY

NO.	PART NO.	PART DESCRIPTION	QTY	UNIT PRICE
1	26010-025-0000	disk brake plate seat	1	
2	26002-025-0000	disk brake plate	1	
3	26011-025-0000	bolt M8×20	4	
4	44605-025-0000	rear disk brake clip	1	
5	44606-025-0000	piston	1	
6	44607-025-0000	piston ring set	2	
7	GB/T5783-1996	adjusting bolt M8×20	1	
8	44608-025-0000	friction piece	2	
9	44609-025-0000	fuel cup	1	
10	44610-025-0000	screw	2	
11	44611-025-0000	rubber sheath	2	
12	44612-025-0000	spring	1	
13	GB/T5787-1996	bolt M8×25	2	

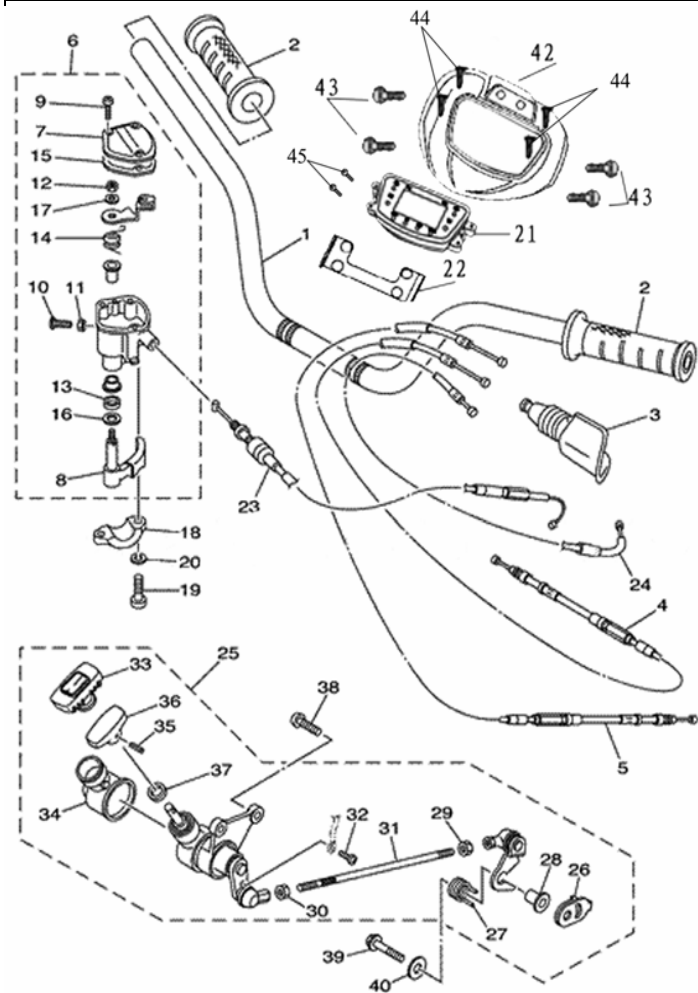


B-16. LEFT & RIGHT FOOTREST				
NO.	PART NO.	PART DESCRIPTION	QTY	UNIT PRICE
1	54101-025-0000	left foot rest	1	
2	GB/T5787-1986	bolt M10×1.25×25	4	
3	54102-025-0000	right foot rest	1	
4	43100-025-0000	pedal plate,rear brake	1	
5	43101-025-0000	washer	1	
6	GB/T896-86	open circlip	1	
7	37602-025-0000	rebound spring,brake pedal	1	



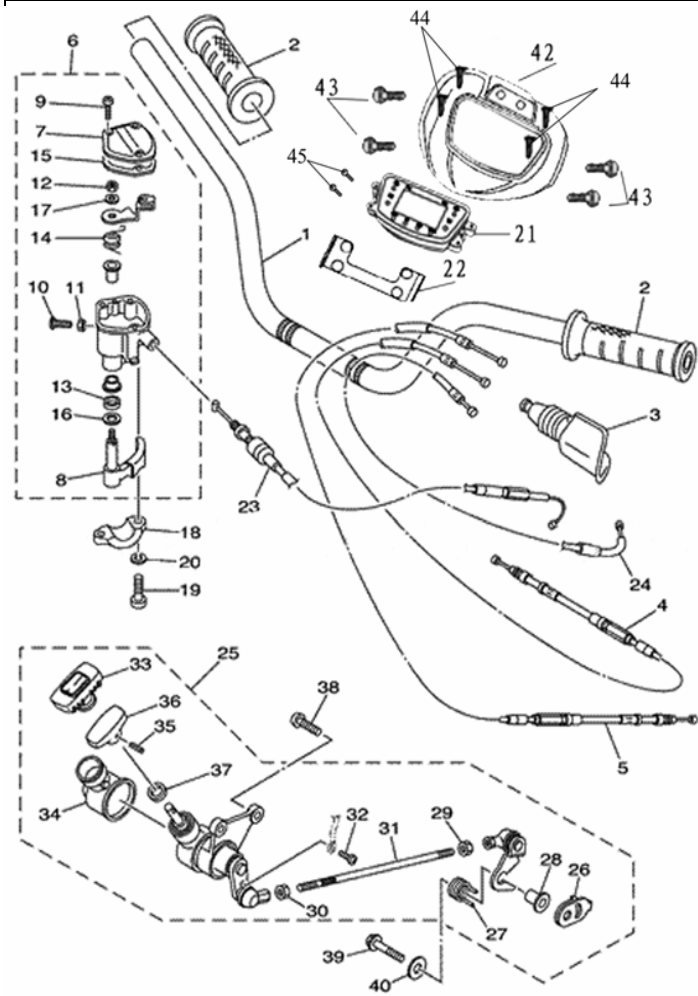
B-17. REAR FENDER, L&R FOOTREST & REAR MUD SHIELD

NO.	PART NO.	PART DESCRIPTION	QTY	UNIT PRICE
1	82200-025-0000	rear shield	1	
1	GB/T5787-1996	bolt M6×16	2	
3	GB/T5787-1996	bolt M6×12	2	
4	GB/T947-1988	bolt M6×16,large plate head	4	
5	GB/T6187-1996	self-locked nut M6	6	
6	GB/T96-1985	washer 6	8	
7	90601-025-0000	rubber cushion,plate	4	
8	GB/T93-1987	washer 6	2	
9	54204-025-0000	left bracket,rear shield	1	
10	54203-025-0000	right bracket,rear shield	1	
11	GB/T5787-1996	bolt M8×20	6	
12	82901-025-0000	protection cover,left foot rest	1	
13	54208-025-0000	protection net braket 1,left foot rest	1	
14	54207-025-0000	protection net braket 2,left foot rest	1	
15	GB/T947-1988	bolt M5×16,large plate head	6	
16	GB/T947-1988	bolt M6×20,large plate head	2	
17	92201-025-0000	collar sheath	2	
18	82801-025-0000	protection cover,right foot rest	1	
19	54205-025-0000	bracket 2,right foot rest	1	
20	54206-025-0000	bracket 1,right foot rest	1	
21	GB/T5787-1996	bolt M6×16	2	
22	GB/T6187-1996	self-locked nut M8	4	



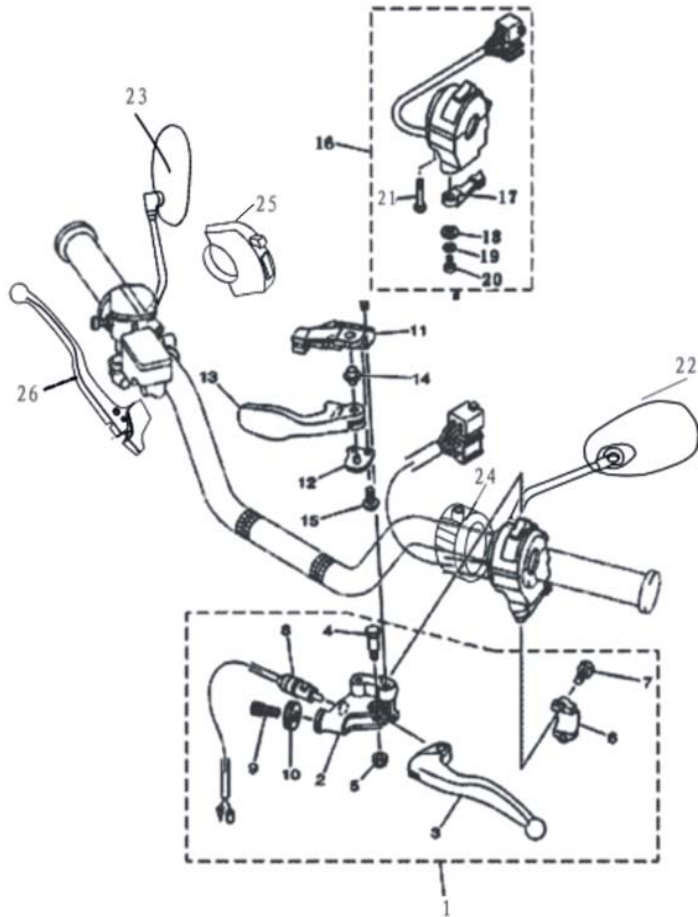
B-18. THROTTLE SWITCH & REAR GEAR DEVISE (1 OF 2)

NO.	PART NO.	PART DESCRIPTION	QTY	UNIT PRICE
1	61101-025-0000	steering bar	1	
2	90601-025-0000	handle bar rubber	2	
3	61801-025-0000	cable rubber sheath,clutch	1	
4	61800-025-0000	cable,clutch	1	
5	61700-025-0000	stop cable	1	
6	37800-025-0000	throttle cock comp	1	
7	37801-025-0000	fuel cock cover	1	
8	37802-025-0000	greaser lever	1	
9	GB/T818-1996	screw M4×12	3	
10	GB/T818-1996	clammer screw M5×25	1	
11	GB/T6170-1996	nut M5	1	
12	GB/T6187-1996	nut M6	1	
13	GB/T97.1-1985	washer 8	1	
14	37803-025-0000	bracket	1	
15	37804-025-0000	seal gasket	1	
16	37805-025-0000	seal gasket	1	
17	GB/T97.1-1985	washer 6	1	
18	37806-025-0000	clip	1	
19	GB/T818-1996	screw M6×12	2	
20	GB/T93-1987	washer 6	2	
21	36100-025-0000	meter	1	
22	36102-025-0000	setting plate,meter	1	
23	61500-025-0000	throttle cable	1	



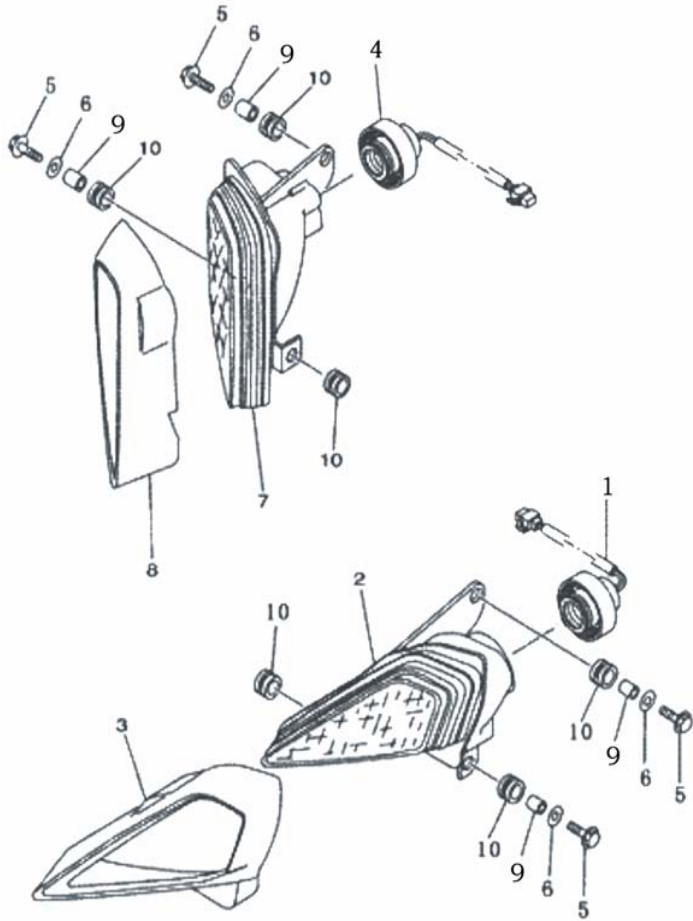
B-18. THROTTLE SWITCH & REAR GEAR DEVISE (2 OF 2)

NO.	PART NO.	PART DESCRIPTION	QTY	UNIT PRICE
24	61600-025-0000	choke cable	1	
25	22500-025-0000	reverse gear	1	
26	22508-025-0000	clip plate	1	
27	22501-025-0000	shaft spring	1	
28	22502-025-0000	collar sheath	1	
29	GB/T6170-1996	nut M6	1	
30	GB/T6170-1996	nut M6,left revolving	1	
31	22503-025-0000	connecting rod	1	
32	GB/T818-1996	screw M4×8	1	
33	22504-025-0000	reverse gear lever	1	
34	22505-025-0000	reverse gear cover	1	
35	22506-025-0000	pin	1	
36	22507-025-0000	rubber theath,reverse gear lever	1	
37	GB/T96-1985	washer 6	1	
38	GB/T70.2-1996	screw M8×30	2	
39	GB/T5783-1996	bolt M6×35	1	
40	GB/T96-1985	washer 6	1	
41	43300-025-0000	front brake cable	1	
42	36101-025-0000	meter cover	1	
43	GB/T820-85	screw M5×12	4	
44	GB/T85-85	screw M3.2×25	4	
45	GB/T85-85	screw M3.2×8	2	



B-19. LEFT SWITCH COMP & STOP LOCK

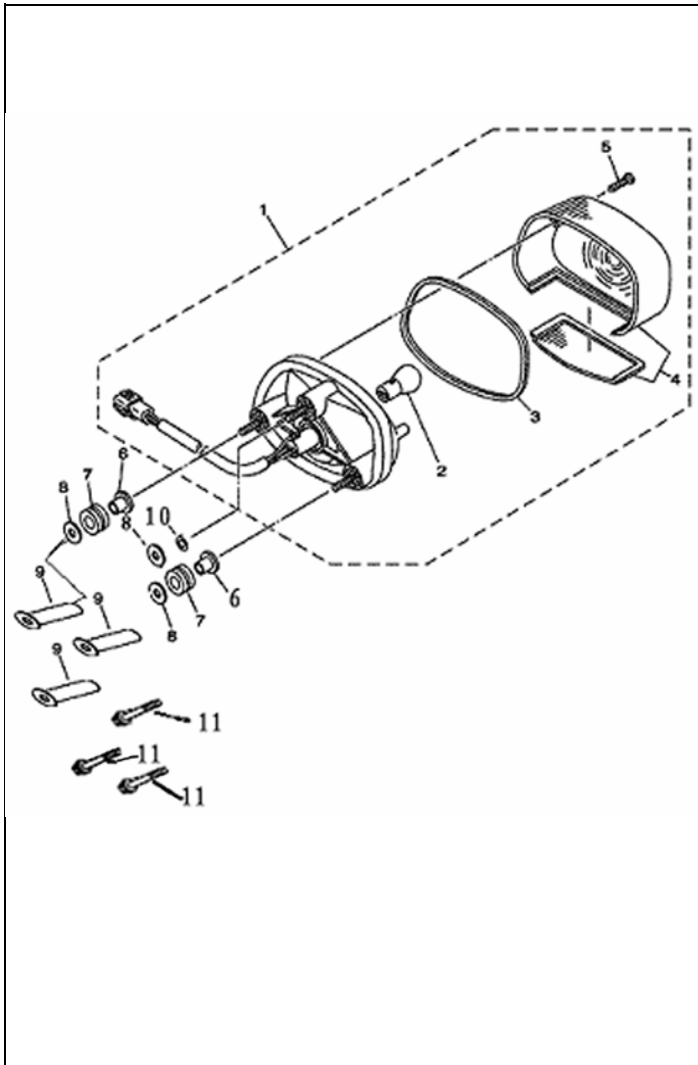
NO.	PART NO.	PART DESCRIPTION	QTY	UNIT PRICE
1	37640-025-0000	stop switch	1	
2	37641-025-0000	clutch lever seat	1	
3	37642-025-0000	clutch lever	1	
4	GB/T947-1988	bolt M6×30	1	
5	GB/T6177-1996	nut	1	
6	37643-025-0000	clip	1	
7	GB/T818-1996	bolt M6×16	1	
8	37644-025-0000	clutch switch wire	1	
9	37645-025-0000	bolt	1	
10	37646-025-0000	nut	1	
11	37647-025-0000	press plate	1	
12	37648-025-0000	dowel plate	1	
13	37649-025-0000	stop lever	1	
14	37650-025-0000	pin	1	
15	GB/T818-1996	screw M6×8	4	
16	37400-025-0000	left switch comp	1	
17	37651-025-0000	choke lever	1	
18	37652-025-0000	ripple washer	1	
19	GB/T97.1-1985	washer φ6	1	
20	GB/T818-1985	screw M6×12	1	
21	GB/T818-1985	screw M6×25	1	
22	85210-025-0000	left rearview mirror	1	
23	85220-025-0000	right rearview mirror	1	
24	37410-025-0000	electrical starting mtor/fire out lock	1	
25	37300-025-0000	accidental control switch	1	
26	61200-025-0000	swing arm assy,front brake	1	



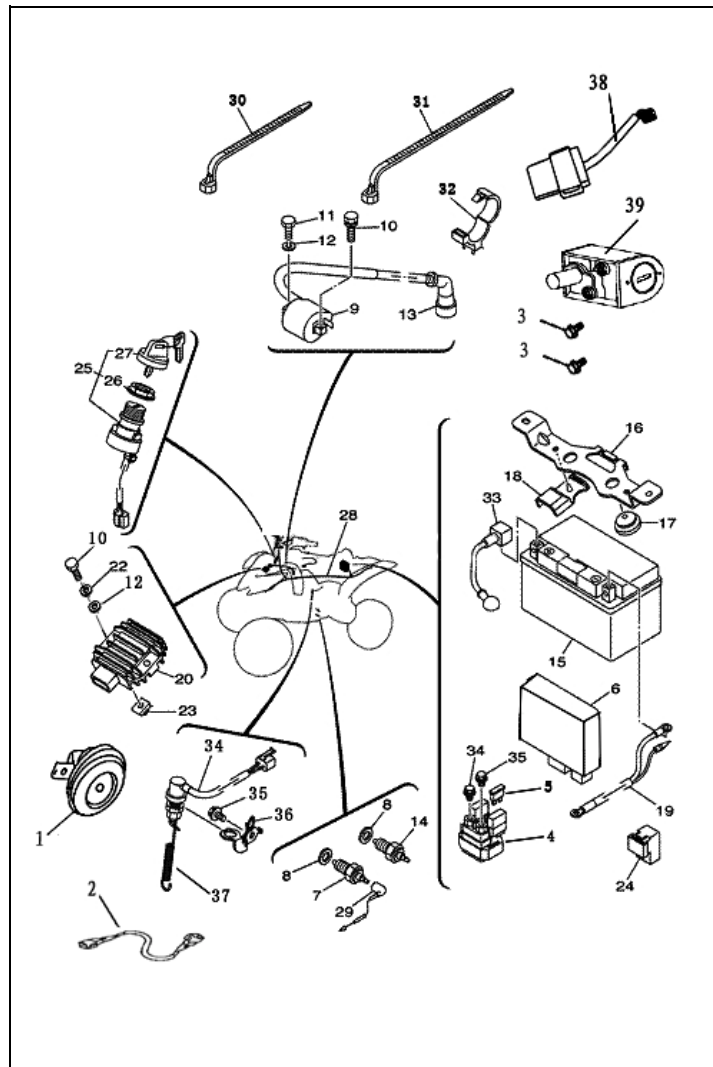
B-20. FRONT DECORATION LIGHT & FRONT LARGE LIGHT

NO.	PART NO.	PART DESCRIPTION	QTY	UNIT PRICE
1	35124-025-0000	left light seat	1	
2	35122-025-0000	left light outer	1	
3	35123-025-0000	left light cover	1	
4	35113-025-0000	right light seat	1	
5	GB/T5787-1986	bolt M6×30	4	
6	GB/T96-1985	washer φ6	4	
7	35111-025-0000	right light outer	1	
8	35112-025-0000	right light cover	1	
9	35104-025-0000	collar sheath	4	
10	35103-025-0000	rubber gasket with "工" type	6	

NK 350 Sport
Parts catalog

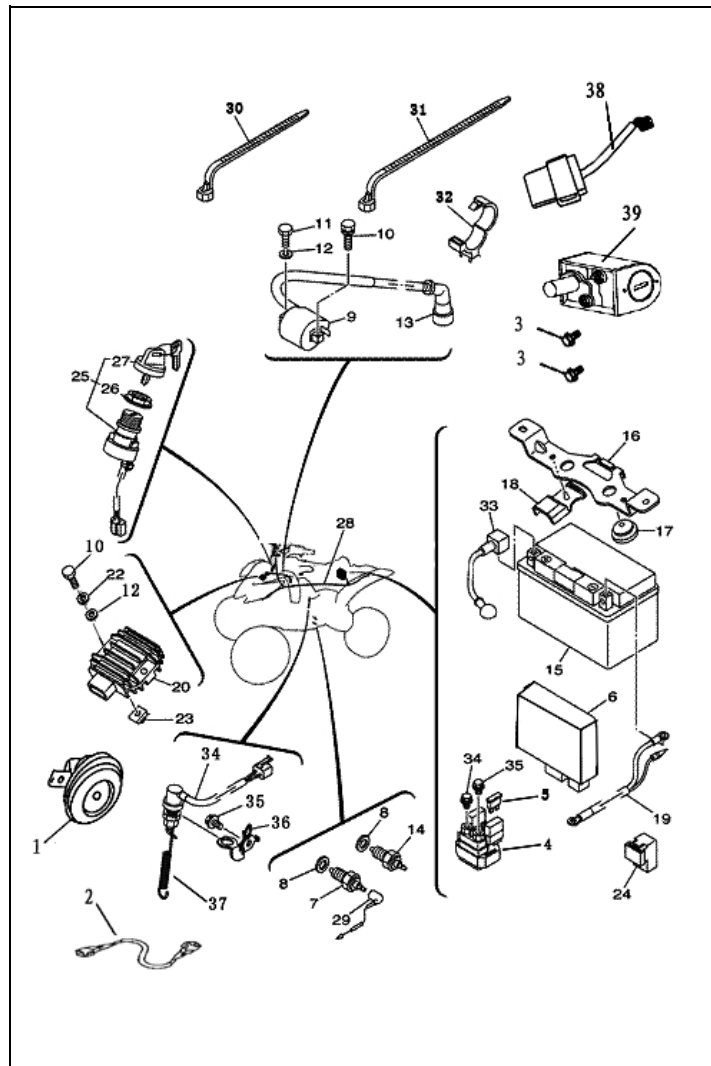


B-21. TAIL LIGHT ASSY				
NO.	PART NO.	PART DESCRIPTION	QTY	UNIT PRICE
1	35200-025-0000	taillamp comp	1	
2	35202-025-0000	bulb 5W/12W	1	
3	35209-025-0000	seal gasket	1	
4	35201-025-0000	light cover	1	
5	GB/T845-85	screw ST3.2×35	2	
6	82201-025-0000	washer	2	
7	82208-025-0000	rubber gasket with "工" type	2	
8	GB/T96-85	washer	3	
9	90801-025-0000	connecting rod,taillamp	3	
10	90608-025-0000	rubber cushion,plate	1	
11	GB/T5787-200	bolt M6×16	3	



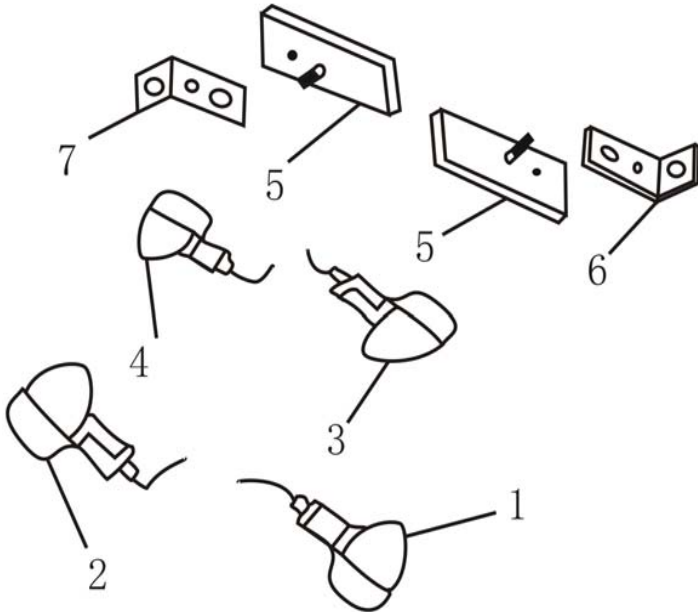
B-22. ELECTRICAL COMPONENTS (1 OF 2)

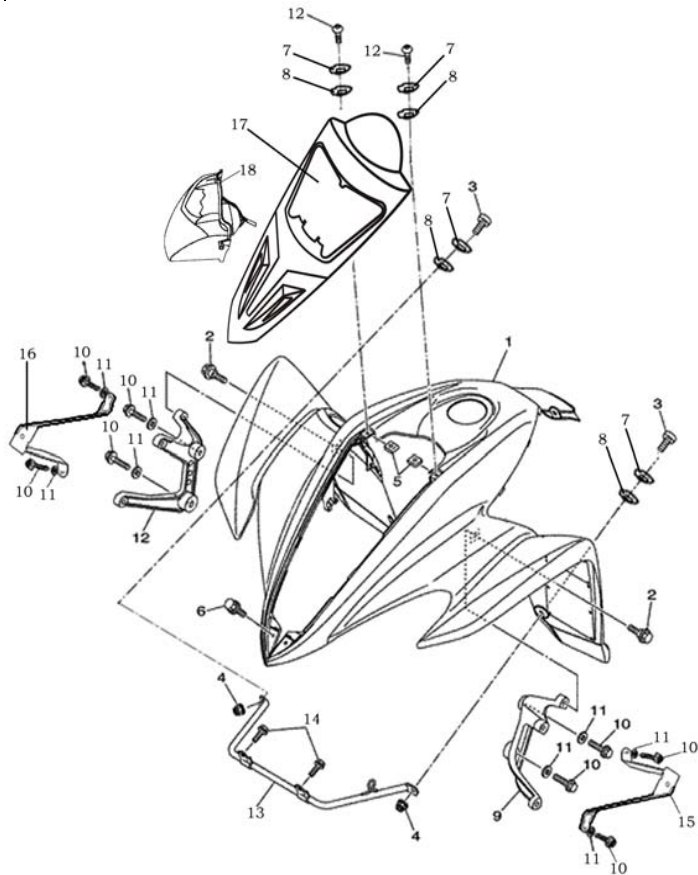
NO.	PART NO.	PART DESCRIPTION	QTY	UNIT PRICE
1	34500-025-0000	horn comp	1	
2	36501-025-0000	shift connecting wire,transducer	1	
3	GB/T819.2-92	screw M5×12	2	
4	37700-025-0000	starting motor relay	1	
5	37701-025-0000	safety machine	1	
6	33200-025-0000	ignition controlled machine	1	
7	37181-F11-0000	connecting seat,neutral gear wire	1	
8	90603-F11-0000	nut	2	
9	33100-025-0000	ignition wire gasket	1	
10	GB/T5783-1996	bolt M6×16	1	
11	GB/T5783-1996	bolt M6×20	1	
12	GB/T97.1-1996	washer φ6	2	
13	33101-025-0000	spark plug cap	1	
14	37121-F11-0000	connecting seat,reverse gear wire	1	
15	32200-025-0000	battery	1	
16	32201-025-0000	battery press plate	1	
17	51108-025-0000	battery press plate rubber	1	
18	32204-025-0000	plus insulation cover	1	
19	34101-025-0000	minus wire	1	
20	32100-025-0000	rectifier	1	
21	GB/T5783-1996	bolt M6×8	2	
22	GB/T93-1996	washer φ6	1	
23	GB/T6177-1985	nut M6	1	



B-22. ELECTRICAL COMPONENTS (2 OF 2)				
NO.	PART NO.	PART DESCRIPTION	QTY	UNIT PRICE
24	37800-025-0000	power cut machine	1	
25	85700-025-0000	ignition switch	1	
26	85701-025-0000	nut	1	
27	85702-025-0000	key	1	
28	34100-025-0000	main cable	1	
29	34107-025-0000	neutral gear wire	1	
30	34105-025-0000	cable 1	4	
31	34106-025-0000	cable 2	4	
32	77215-025-0000	wire clip 1	1	
33	34102-025-0000	plus wire	1	
34	37600-025-0000	rear brake switch	1	
35	GB/T5787-1996	bolt M6×12	1	
36	37601-025-0000	switch bracket,rear brake	1	
37	81103-025-0000	switch spring,rear brake	1	
38	34600-025-0000	control machine,accidental light	1	
39	85701-025-0000	steering lock	1	

B-23. TURNING LIGHT & REAR REFLECTOR				
NO.	PART NO.	PART DESCRIPTION	QTY	UNIT PRICE
1	35300-025-0000	front left turning light	1	
2	35400-025-0000	front right turning light	1	
3	35500-025-0000	rear left turning light	1	
4	35600-025-0000	rear right turning light	1	
5	34800-025-0000	rear reflector	1	
6	34801-025-0000	setting plate, rear left reflector	1	
7	34802-025-0000	setting plate, rear right reflector	1	

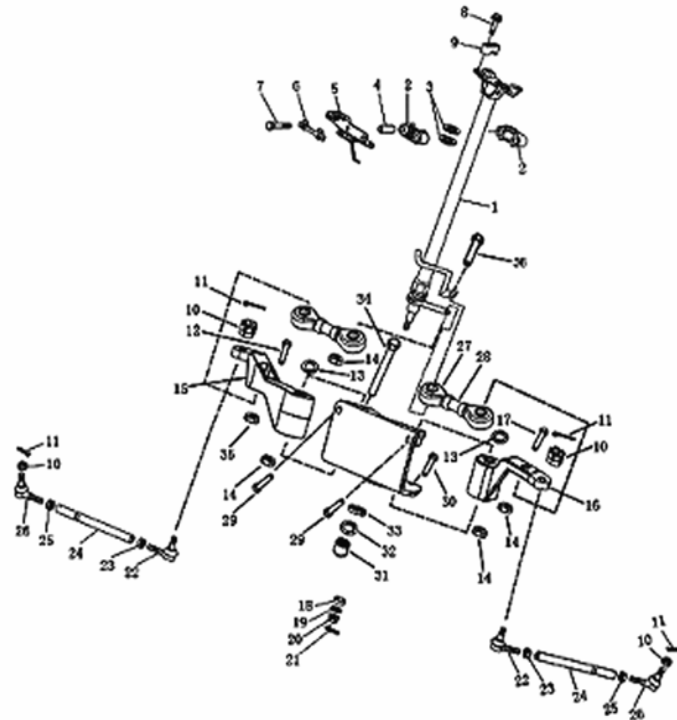




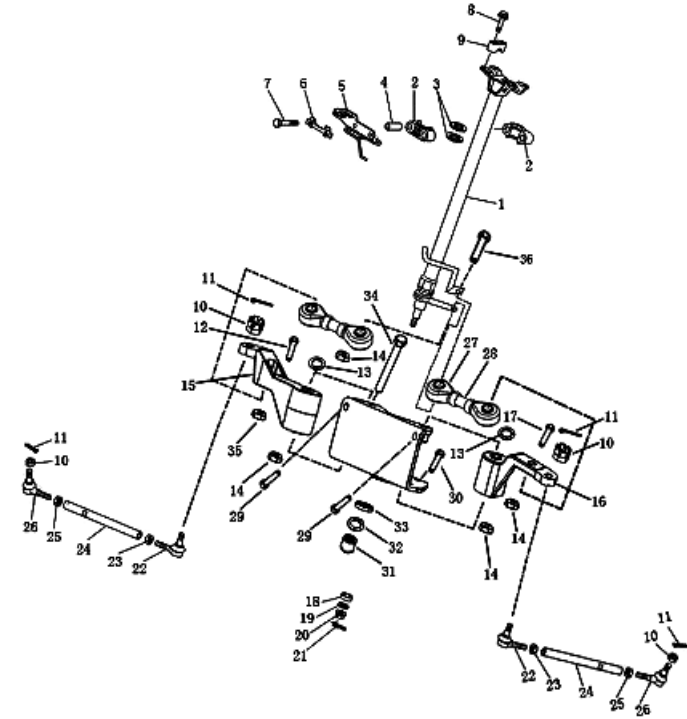
B-25. FRONT FENDER

NO.	PART NO.	PART DESCRIPTION	QTY	UNIT PRICE
1	81996-025-0000	front fender	1	
2	90101-025-0000	bolt M6×14	2	
3	GB/T947-1988	screw M6×20,cross groove large plate head	2	
4	GB/T6187.1-1996	nut M6	2	
5	90301-025-0000	nut clip M6	4	
6	GB/T947-1988	screw M6×16,cross groove large plate head	2	
7	GB/T96-1985	washer φ6	6	
8	90601-025-0000	rubber cushion,plate	6	
9	54202-025-0000	bracket,front left light	1	
10	GB/T5787-1986	bolt M6×16	4	
11	GB/T96-1985	washer φ6	2	
12	54201-025-0000	bracket,front left light	1	
13	51107-025-0000	front fender bracket	1	
14	GB/T5787-1986	bolt M6×12	2	
15	35301-025-0000	bracket,front left turning light	1	
16	35401-025-0000	bracket,front right turning light	1	
17	83300-025-0000	front faceplate	1	
18	35105-025-0000	front large light	1	

B-26. STEERING STEM ASSY (1 OF 2)				
NO.	PART NO.	PART DESCRIPTION	QTY	UNIT PRICE
1	62100-025-0000	steering stem comp	1	
2	62102-028-0000	steering stem clip	2	
3	62104-028-0000	seal gasket	2	
4	62105-028-0000	clip collar sheath,steering stem	2	
5	44301-028-0000	protection wire bracket	1	
6	62106-028-0000	stop reverse piece	1	
7	GB/T5783-1996	bolt M8×60	2	
8	GB/T5787-1986	bolt M8×30	4	
9	61102-025-0000	handle pipe clip	2	
10	GB/T9457-1988	open groove nut M10×1.25	4	
11	GB/T91-1996	cotter pin 2×28	4	
12	GB/T70.1-1996	cylinder bolt M10×50,inner sexangle	1	
13	GB/T96-1985	washer φ10	2	
14	GB/T6187.1-1996	nut M10×1.25	3	
15	62500-025-0000	left aluminum bracket	1	
16	62400-025-0000	right aluminum bracket	1	
17	GB/T5787-1986	bolt M10×1.25×45	1	
18	92205-025-0000	collar sheath	1	
19	GB/T97.1-1985	washer φ14	1	
20	GB/T9457-1988	open groove nut M14×1.5	1	
21	GB/T91-1996	cotter pin 2.5×28	1	
22	62201-025-0000	turning 3	1	
23	GB/T6171-1996	nut M10×1.25	2	



NK 350 Sport
Parts catalog



B-26. STEERING STEM ASSY (2 OF 2)

NO.	PART NO.	PART DESCRIPTION	QTY	UNIT PRICE
24	62202-025-0000	long rod	2	
25	GB/T6171-1996	nut (left revolving M10×1.25)	4	
26	62203-025-0000	turning 4	2	
27	62302-025-0000	rubber protection sheath	4	
28	62301-025-0000	connecting rod	2	
29	62210-025-0000	bottom seat comp, steering stem	1	
30	GB/T5787-1986	bolt M8×16	4	
31	GB/T276-94	rolled bearing 6002	1	
32	GB/T893.1-1986	circlip φ30	1	
33	92205-025-0000	fuel seal	1	
34	GB/T5787-1986	sexangle bolt M10×1.25×95	2	
35	GB/T5787-1986	nut M10	1	
36	GB/T5787-1986	bolt M10×1.25×60	1	

